



Operating Instructions Platform Lift



| | |
|------|-----------------|
| Type | Master Gear 1,0 |
|------|-----------------|

| |
|------------|
| Serial-N°: |
|------------|

| |
|------|
| Date |
|------|



Operating Instructions

Contents

| | | | |
|---|-----------|--|-----------|
| Contents | 9.3 | Ordering of spare parts | 13 |
| 1 Safety | 3 | 10 EC Declaration of Conformity | 13 |
| 1.1 Safety Hints in these Instruction..... | 3 | 11 Appendix..... | 14 |
| 1.2 Dangers of this machine | 3 | Dimension Sheet | |
| 1.3 Regulatory Application | 3 | Spare parts lists | |
| 1.4 Danger through accessories..... | 3 | Hydraulic Diagram | |
| 1.5 Emissions..... | 3 | | |
| 1.6 Source of Danger..... | 4 | | |
| 1.7 Qualified Operators | 4 | | |
| 1.8 Personal Safety Equipment..... | 4 | | |
| 1.9 Safety Measures in the Work Place..... | 4 | | |
| 1.10 Conduct In An Emergency | 4 | | |
| 1.11 Picture Symbols..... | 5 | | |
| 2 Safety Facilities | 5 | | |
| 2.1 Aperture restriction in cylinder inlet..... | 5 | | |
| 2.2 Lowering Brake Valve (when on hand) | 5 | | |
| 2.3 One Way Flow Restriction Valve (when on hand) | 5 | | |
| 2.4 Folding Screen (when on hand) | 5 | | |
| 2.5 Securing Device On Wheels (transportable machines only)..... | 5 | | |
| 2.6 Contact Frame (when on hand)..... | 5 | | |
| 3 Taking into use | 6 | | |
| 3.1 Setting up / Assembly..... | 6 | | |
| 4 Operation..... | 7 | | |
| 4.1 Lifting..... | 7 | | |
| 4.2 Lowering..... | 7 | | |
| 4.3 Shifting/Tilting | 7 | | |
| 5 Taking out of use | 8 | | |
| 6 Inspection..... | 8 | | |
| 6.1 Inspection before the first use | 8 | | |
| 6.2 Regular testing..... | 8 | | |
| 6.3 Check List | 9 | | |
| 7 Inspection / Maintenance..... | 10 | | |
| 7.1 Maintenance Plan..... | 10 | | |
| 7.2 Cleaning | 10 | | |
| 7.3 Mechanical | 10 | | |
| 7.4 Maintenance of the hydraulics | 10 | | |
| 7.5 Oil Change Intervals..... | 11 | | |
| 7.6 Checking the oil level | 11 | | |
| 7.7 Oil Change | 11 | | |
| 7.8 Bleeding the hydraulics..... | 11 | | |
| 7.9 Control of the hydraulic hoses..... | 11 | | |
| 8 Fault Finding..... | 12 | | |
| 8.1 Machine lowers on its own..... | 12 | | |
| 8.2 Machine will not raise to maximum height..... | 12 | | |
| 8.3 Machine does not raise with the first pump stroke..... | 12 | | |
| 8.4 Pump produces no pressure..... | 12 | | |
| 8.5 Breakdown / Maintenance of the valves | 12 | | |
| 9 General | 13 | | |
| 9.1 Transport Damage..... | 13 | | |
| 9.2 Warranty..... | 13 | | |

Operating Instructions

Safety

1 Safety

1.1 Safety Hints in these Instructions

**Danger**

Draws attention to the fact that disregard for these instructions could lead to serious or even deadly consequences.

**Caution**

Draws attention to the fact that disregard of these instructions could under certain circumstances lead to injuries.



Indicates that disregard of these instructions could lead to the damage of the machine or goods on the machine.

1.2 Dangers of this machine

This machine is equipped with safety devices and is put through safety and quality control tests but there is a threat of danger by incorrect operation and misuse for the operator or other people in the vicinity for the machine and goods.

The danger zone is contained within the outer limits of the machine. All personnel concerned with the

- Installation
- Setting Up
- Operation
- Maintenance
- Repair

of the machine must have read and fully understood the operating instructions.

1.3 Regulatory Application

Applications

- Lifting of weights until maximum load.
- Working on the raised platform
- Hand Forklifts - Transporting of loads in the **lowered** position.

Prohibited

- Lifting and transportation of personnel
- Setting up and operation of machines in the open. Exception - machines specially constructed for this purpose
- Alterations and rebuilds of the machine.

Positioning of the load

- Load should not overhang the platform
- Unintentional shifting of the load should be prevented

1.4 Danger through accessories

When the following

- Rollers
- Conveyer Belts
- other transport facilities

are used the safety devices on the machine must not be made in operational through their use.

The danger zone is enlarged through the use of accessories

1.5 Emissions

See dimension sheet in appendix.

Operating Instructions

Safety

1.6 Source of Danger

| | | |
|-----------|---------|--|
| Mechanic | Where? | Scissors arms / underframe |
| | What? | Crush and shear points |
| | Danger! | Loss of limbs / life |
| Hydraulic | Where? | Hydraulic components e.g. hoses |
| | What? | Because of damage oil could be sprayed out under high pressure |
| | Danger! | Burns and contamination to the eyes |
| Foot Pump | Where? | Operating pedals, Lifting / Lowering |
| | What? | Slipping off pedal |
| | Danger! | Injury to the leg |
| Current | Where? | Current carrying components |
| | What? | Touch |
| | Danger! | Life threatening |



Work on the electrical and hydraulic components should only be carried out by a competent tradesman!



Danger
Never

- remove
- alter
- take out of service the safety facilities

Always secure that the machine is out of service when

- Setting up
- The alteration of the employment requirements
- The alteration of the operating procedure
- Maintenance
- Servicing
- Repair

1.7 Qualified Operators

The operator must

- be over 18 years old
- be instructed in the operation of the machine
- have proved to the firm that he is capable of operating the machine
- have read and understood the operating instructions
- must observe the operating instructions

1.8 Personal Safety Equipment

For the operating of the machine:

- Safety shoes

For cleaning / maintenance / repair:

- Safety shoes
- Work gloves
- Face protection

1.9 Safety Measures in the Work Place

- Secure positioning of the machine
- Avoid crush and shear zones between the machine and its surroundings
- Ensure that the workplace remains clean and clear of obstacles

1.10 Conduct In An Emergency

| | |
|--|---|
| Footpump | E - Hydraulic |
| Release the pump / lower pedal immediately | Release the raise / lower push-button immediately |
| | Switch off at the mains / remove the plug |
| Secure against further | |
| By raised load support the load carrying component | |

Operating Instructions

Safety Facilities

1.11 Picture Symbols

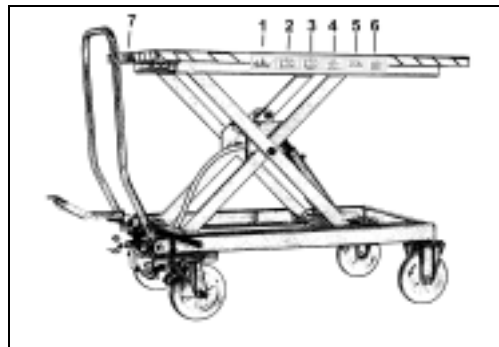


Fig. 1: Safety and Operational hints on the Lifting Truck

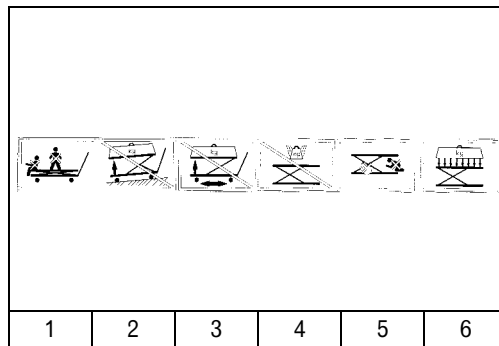


Fig. 2:

1. **Prohibited:** Carriage / Transport and Lifting of personnel!
2. **Prohibited:** Lifting and Lowering of loads on sloping surfaces!
3. **Prohibited:** Transport with raised load!
4. Accumulation of weight **forbidden!**
5. **Prohibited:** Staying / Grasping under an unsecured table!
6. Load must be evenly distributed (**surface load!**)

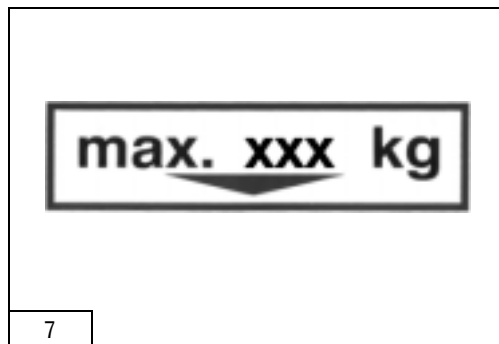


Fig. 3: You will find the maximum permissible load at the appendix of this instruction.

2 Safety Facilities

2.1 Aperture restriction in cylinder inlet

Restricts the oil flow by the rupture of a hydraulic hose

2.2 Lowering Brake Valve (when on hand)

Fixed adjusted limitation of the oil flow (lowering speed)

2.3 One Way Flow Restriction Valve (when on hand)

Adjustable restriction of the oil flow (lowering speed)

Attention : adjustment is dependent on load !

2.4 Folding Screen (when on hand)

Prevents grasping under the raised table.

2.5 Securing Device On Wheels (transportable machines only)

The securing device (brake) prevents the unintentional movement of the machine.

2.6 Contact Frame (when on hand)

The contact frame stops the lowering of the table when it comes in contact with an obstacle. Raise the table with the "raise" button and remove the obstacle then complete the lowering process

Operating Instructions

Taking into use

3 Taking into use

For technical details see dimension sheet in appendix

3.1 Setting up / Assembly

Caution
 Wear protective gloves when assembling the spring.

- Put the wheel brake on.
- Assemble the handle and spring using the drawing as a guide. Please use the enclosed cable binder in accordance with Fig. 5.
- Both ends of the shaft swivel points are to be provided with the enclosed cover caps.

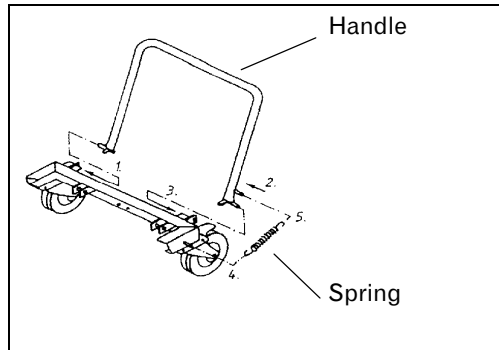


Fig. 4:



Fig. 5:

- Assemble the components in the enclosed packet using the drawing as a guide
- Exchange the tank plug for the orange breather plug

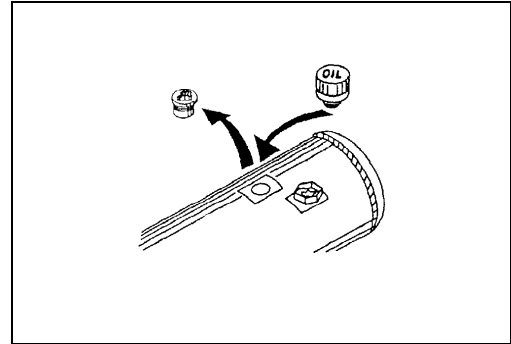


Fig. 6:

The component packet contains:

- Pos. 1 - Foot pedal
- Pos. 2 - Hex' bolt
- Pos. 3 - Hex' nut
- Pos. 4 - Bush
- Pos. 5 - Spring dia \varnothing 15x87
- Pos. 6 - Breather plug R 3/8"

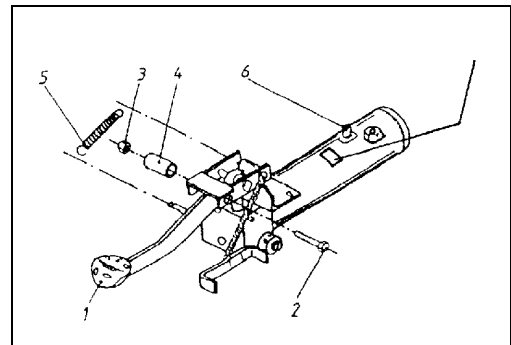


Fig. 7:



Fig. 8:



Have you read the operating instructions and above all the safety points and above all understood them? Then you can take the machine into use

Operating Instructions Operation

4 Operation

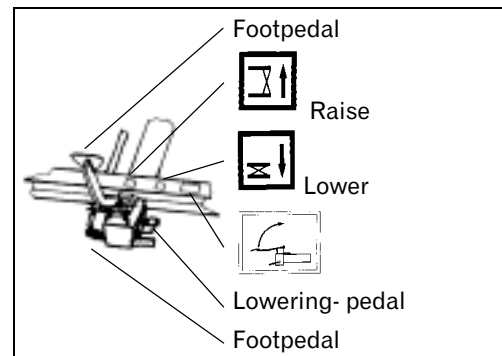


Fig. 9:



Danger

- Fold foot pedal away when not in use
- Wear safety shoes with none slip sole
- No personnel should be within the danger zone when raising or lowering the table
- Observe the picture symbols on the lifting machine

4.3 Shifting/Tilting

- Place yourself in front of the equipment
- The locking devices of the wheels are still on
- To shift or tilt the platform place a spanner upon the top of the relevant spindle or at the side of the frame
- Now turn the spindle according to the symbols affixed to move the platform into the position desired



Make sure to note the load every time you shift the platform to prevent unwanted and dangerous changes in position in time.

4.1 Lifting

- Stand in front of the machine
- Hold the handle firmly
- Apply the wheel brakes
- Fold down the foot pedal
- Pump the pedal repeatedly downwards until the required height is achieved
- You should not travel with the machine when it is loaded

4.2 Lowering

- Stand in front of the machine
- Hold the handle firmly
- The wheel brakes are already applied
- Hold the lowering pedal carefully down



Don` t hold the lowering pedal fully down when the table is loaded otherwise the load will lower too quickly.

Operating Instructions

Taking out of use

5 Taking out of use

| | | |
|--------------|--|------------------|
| Machine with | for: <ul style="list-style-type: none"> • maintenance • cleaning • inspection • repair • battery charging | for: end of work |
|--------------|--|------------------|

| | | |
|----------------|--|---------------|
| footpump | <ul style="list-style-type: none"> • remove load • set table onto it's lowest position • remove table-board | lower machine |
| | fold up the foot pedal | |
| 12 V | <ul style="list-style-type: none"> • remove load • set table onto it's lowest position • remove table-board | lower machine |
| | battery main switch into "off" position | |
| 230 V 400 V | <ul style="list-style-type: none"> • remove load • set table onto it's lowest position • remove table-board | lower machine |
| | remove mains plug and or mains switch "off" | |

6 Inspection

6.1 Inspection before the first use



The machine is tested by the manufacturer before delivery

Machines that are delivered not ready for use should be inspected by a qualified person in the following aspects ;

- correct construction
- correctness for use

6.2 Regular testing



Regular testing of machines at intervals of at the longest one year should be carried out by a qualified person.

- use the check list on the following page
- make a photo copy of the list
- note top right on the check list
 - Lfd N° (check list number)
 - machine type
 - serial number
- cross each point when it is in order
- put the machine back into use only when each point has been crossed

when completed put the check list into the appendix of these operating instructions



Operating Instructions Inspection

6.3 Check List

| | |
|--------------|------------|
| Machine Type | |
| Lfd.-N° | Serial-N.° |

Mechanical

- Cylinder pins secure
- All lever pins secure
- Wheel brakes in order (when on hand)
- Machine clean
- Stickers intact and readable
- Welded construction undamaged
- Machine holds the load in the maximum raised position for at least 10 minutes
- All bolted connections tight

Hydraulic

- No leaks in the hydraulic system
- Oil level correct
- No damage to the hoses (see 7.5)
- Lowering speed correctly adjusted
- Flow control valve secured (when on hand)
- All functions inspected without query

| | |
|-----------------|-----------------------|
| Inspection date | Inspector (signature) |
|-----------------|-----------------------|

Operating Instructions

Inspection / Maintenance

7 Inspection / Maintenance

7.1 Maintenance Plan

| What? | When? | Description |
|------------------------|-----------------|-------------|
| Cleaning | When necessary | 7.2 |
| Check Bushes | Every 250 hours | 7.3 |
| Check oil level top up | Yearly | 7.4 |
| Hydraulic oil change | - | 7.4 |
| Inspect oil hoses | Yearly | 7.9 |

7.2 Cleaning



Danger

Secure that the machine is out of use

Clean

- your machine regularly
- especially the stickers (picture symbols) on the machine. (when the stickers are no longer readable please order new ones, order number see spare parts lists)
- working areas of the rollers

7.3 Mechanical

The machine is delivered with maintenance free bushes. Therefore the bushes only have to be checked regularly (250 working hours) for wear.

7.4 Maintenance of the hydraulics



Danger

Hydraulic oil can cause irritation and skin rashes. Avoid prolonged skin contact and wash the skin thoroughly after contact.

Wear protective clothing! (see chapter 1.8)



Protect the environment:

The handling and disposal of mineral oils is covered by laws. Dispose of old oil at an authorised disposal unit. Information can be found from the responsible authority. Be careful not to spill any hydraulic oil. Make precautions to catch any spilt oil (oil resistant covers, drip tray etc.)

This machine is filled with bio-oil on synthetic base

This oil is not mixable with water.

The biological removable hydraulic-oil is mixable with mineral-oil, but then it will loosen his biological removability.

The following or equivalent can be used:
ELF XPD 98064 (in this machine)

Operating Instructions

Inspection / Maintenance

7.5 Oil Change Intervals

The oil must be changed after the first 50 working hours, thereafter at intervals of 500 hours or at the latest every 2 years

- Pump until oil is discharged from the bleed screws without any air bubbles
- Tighten bleed screws
- Check oil level and top-up if necessary
- Bleed pump if necessary

see chapter 8.3

7.6 Checking the oil level

- Sink the machine into its lowest position
- Read the oil level in the oil observation bung
- The level should be in the upper third of the bung
- Top-up when necessary

7.9 Control of the hydraulic hoses



A yearly check on the hydraulic hoses for a safe working condition is stipulated. The check must be carried out by a qualified tradesman.

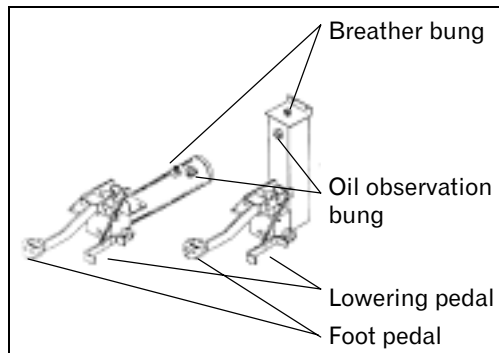


Fig. 10:

Control the following:

- Can the following damage be observed on the outer mantle of the hose rips, kinks, cuts, unbending, abrasions or splitting?
- Are there any deformities in the hose when under or not under pressure?
- Are there any leaks between the hoses and the fittings? Is the hose coming out of the fitting?
- When there is any damage the hose should be changed.
- Depending on the requirements the hoses should be changed at the latest after six years.

7.7 Oil Change

- Sink the machine into its lowest position.
- Place drip tray under pump.
- Remove the hydraulic hose from the pump and place in the drip tray.
- Pump the foot pedal until no more oil is discharged from the pump.
- Reconnect hose.
- Remove breather bung.
- Fill oil until level is in the upper third of the observation bung.
- Tank volumes:
 - tank 250 mm long = 1,0 l
 - tank 300 mm long = 1,3 l
 - tank 450 mm long = 1,9 l
 - vertical Tank = 1,2 l
- replace the breather bung.

7.8 Bleeding the hydraulics

- Sink the machine into its lowest position.
- Place drip tray under pump.
- Loosen the bleed screws on the cylinders
- When there are no bleed screws the cylinders are so constructed as to bleed themselves

Operating Instructions

Fault Finding

8 Fault Finding



Danger

Work on the hydraulic components should only be carried out by a qualified tradesman

Observe the safety instructions

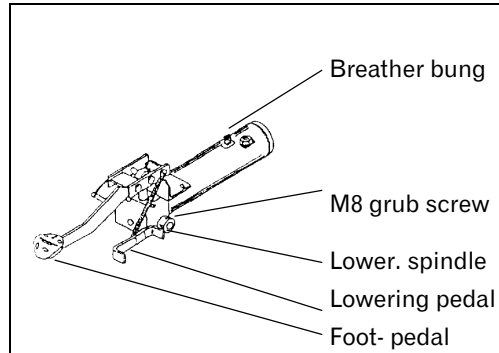


Fig. 11:

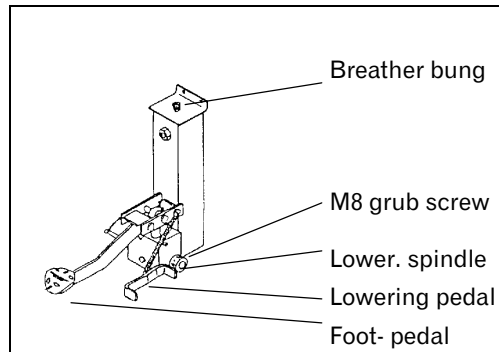


Fig. 12:

8.1 Machine lowers on its own

Adjust the lowering valve by following this procedure

- Loosen the M8 grub screw
- Leave the lowering pedal in its normal position
- Using a screwdriver slightly adjust the valve spindle:
 - Anticlockwise, to raise the lowering speed.
 - Clockwise, to reduce the lowering speed and to ensure that the pump holds the load in position.
- Lightly tighten the grub screw after every adjustment.
- When adjustment is correct fully tighten the grub screw.

8.2 Machine will not raise to maximum height

- Check oil level (see 7.4)

8.3 Machine does not raise with the first pump stroke

- Depress the lowering pedal with the right hand and at the same time quickly pump the foot pedal with the left hand.

8.4 Pump produces no pressure

- Remove the breather bung.
- Lay a clean cloth (twice folded) over the opening.
- Using a compressed air pistol pressurise the tank and at the same time quickly pump the foot pedal.

8.5 Breakdown / Maintenance of the valves

The valves used normally require no maintenance. By malfunction of the pump observe positions 1-4 in the "fault finding".

Should it be found that the positions 1-4 in "fault finding" produce no cure return the pump for repair.



Operating Instructions General

9 General

9.1 Transport Damage

All deliveries are to be insured by the customer. We must turn down any possible claims concerning transport responsibility. Our responsibility is restricted to the hand-over of the machine in brand-new condition to the shipping agent. Should you discover any damage to the machine, do not use it and contact the shipping agent concerning the damage.

9.2 Warranty

Every machine is covered by a 12 months warranty against material faults and incorrect assembly. The warranty covers all parts that are returned post free within twelve months for inspection. The parts will then be inspected by us to determine whether the parts were damaged under normal use.

The warranty will be declared void if the parts are found to have been overloaded, handled incorrectly or that replacement parts have been assembled incorrectly.

9.3 Ordering of spare parts

Please give the following details when ordering;

Type:
Load:
Year of construction:
Serial Number:
Part description:
Order Number:

The address for ordering is to be found on the cover of this operating instructions.

10 EC Declaration of Conformance

Conforming to: EC-Directives – Machines 98/37/EG, appendix II A

We

BLITZ M. Schneider
Werkzeug- u. Maschinenfabrik
GmbH
Hüfinger Straße 55
D-78199 Bräunlingen

declare in general responsibility, that the product

Platform Lift

covered by this declaration confirms to the Health and Safety rules laid down by the directives above.

The following Norms were used for the proper implementation of the EC Directives on Health and Safety:

- DIN EN 292 1 / 2 (1994)
- DIN EN 294 (1992)
- DIN EN 349 (1991)
- VBG 14 (1993)
- DIN EN 1570 (1998)

Bräunlingen, dated 01.03.2002

S. Schneider, General Management



Operating Instructions

Appendix

11 Appendix

Dimension Sheet

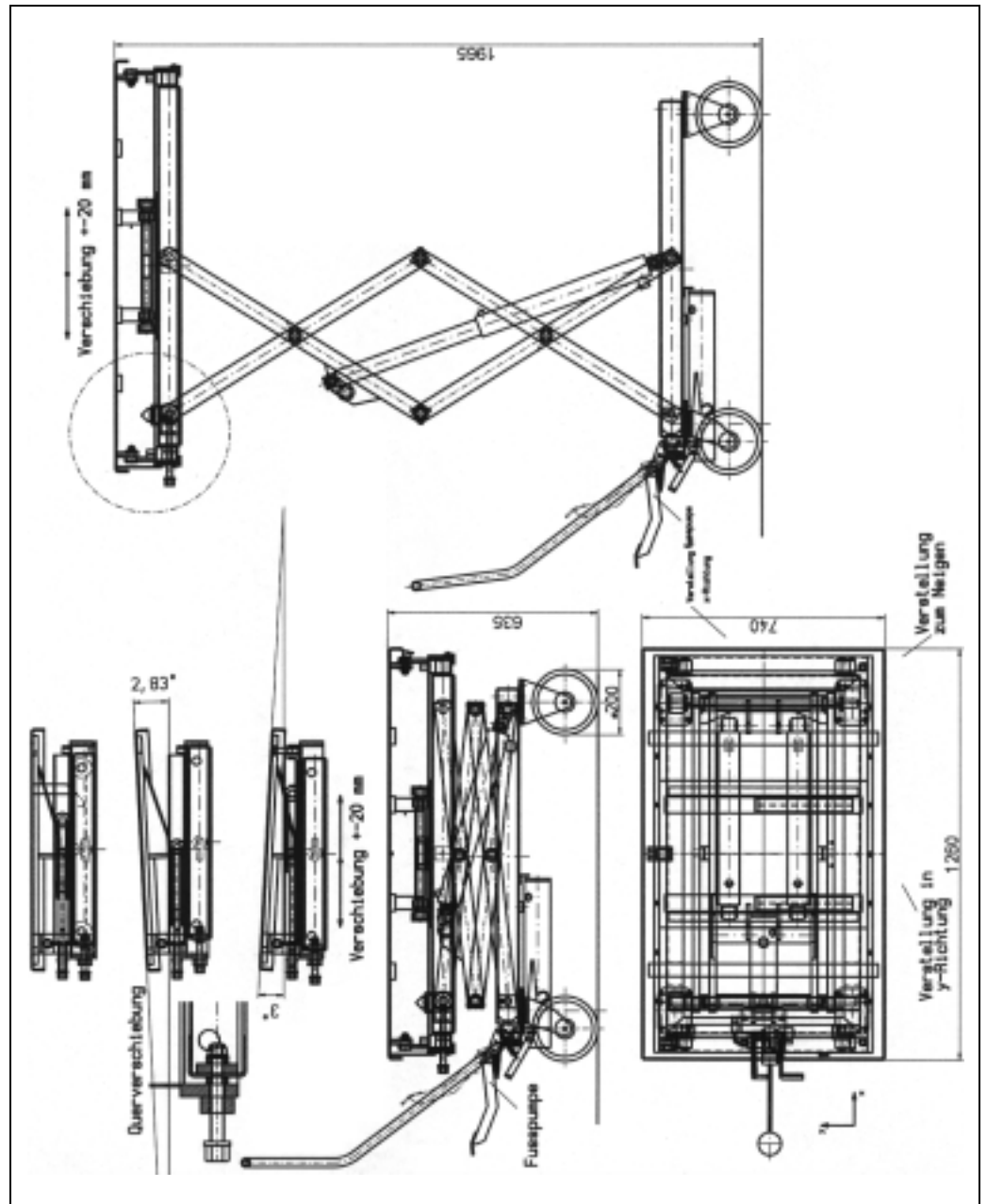
Mechanics

| | |
|-------------------------|---|
| Useful load | 1000 kg |
| Type of load | Surface load |
| Overall height | 635 mm |
| Useful lift | 1330 mm |
| Table top dimensions | 5 x 1260 x 740 mm Smooth sheet metal |
| Lift per pedal stroke | approx. 12 mm |
| Lengthwise displacement | ± 20 mm |
| Lengthwise displacement | ± 20 mm |
| Inclination | $\pm 2^\circ$ |
| Wheels | dia. 200 mm |
| Weight | approx. 290 kg |

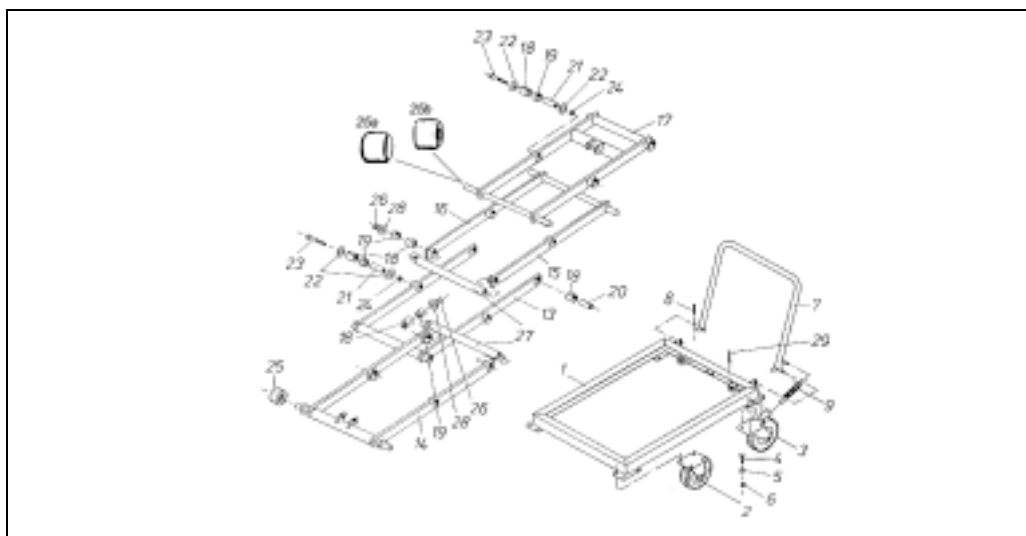
Hydraulics

| | |
|--------------------|-------------------------------|
| Operating pressure | max. 220 bar |
| Oil filling volume | 1.4 l |
| Type of oil | Bio oil |
| Hydraulic cylinder | 2x dia. 40 x 450 mm stroke |

Dimensional Drawing

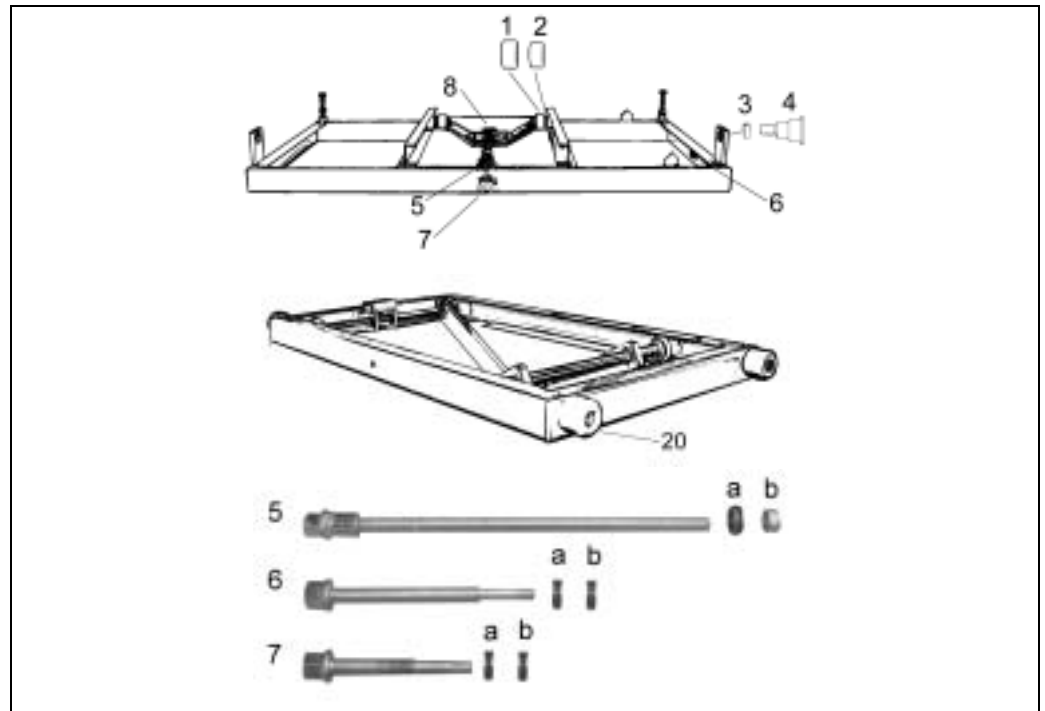


Mechanical Assemblies



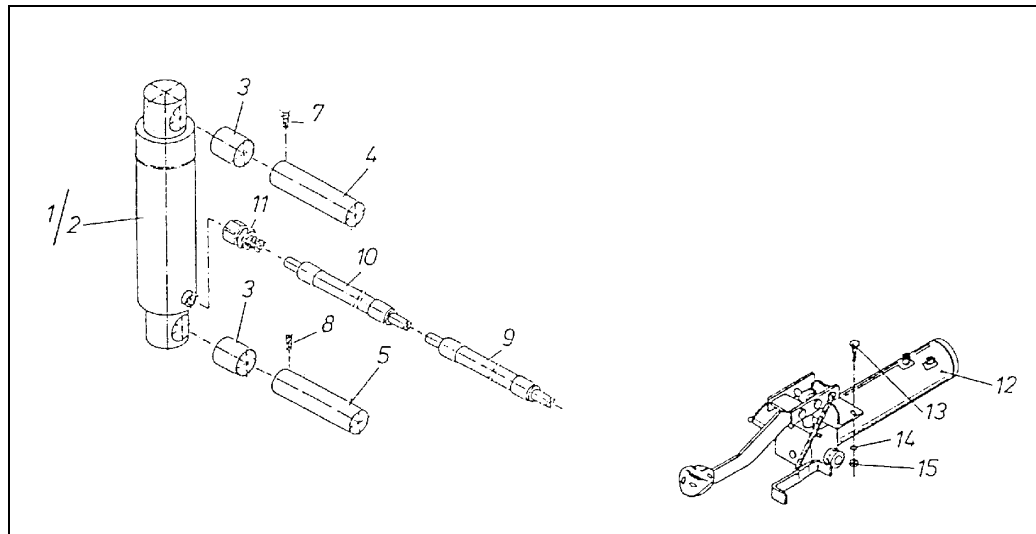
| Pos. | Stückzahl | Benennung | Best.-Nr. | Bemerkung |
|------|-----------|---|-----------|----------------|
| 1 | 1 | Rahmen, unten | 51.02.654 | |
| 2 | 2 | Bockrolle | 12.09.211 | ø200 |
| 3 | 2 | Lenkrolle | 12.09.126 | ø200 |
| 4 | 16 | 6kt.-Schraube | 12.51.041 | M10x20 |
| 5 | 16 | Scheibe | 12.40.100 | 11 (DIN 1441) |
| 6 | 16 | Sicherungsmutter | 12.55.065 | M10 (985) |
| 7 | 1 | Lenkbügel | 51.26.044 | |
| 8 | 2 | Sicherungsscheibe mit schwarzer Kunststoffkappe | 12.24.560 | Für Ø 16 mm |
| 9 | 2 | Zugfeder | 12.23.207 | 3,2x20x135 |
| 13 | 1 | Schere, innen, unten | 51.11.352 | |
| 14 | 1 | Schere, außen, unten | 51.11.353 | |
| 15 | 1 | Scherenarm, oben, rechts | 51.11.351 | |
| 16 | 1 | Scherenarm, oben, links | 51.11.350 | |
| 17 | 1 | Schere, innen, oben | 51.11.354 | |
| 18 | 18 | Buchse | 10.02.250 | 20x23x20 |
| 19 | 16 | Buchse | 10.02.251 | 20x23x15 |
| 20 | 2 | Aufnahmebolzen | 55.56.136 | |
| 21 | 4 | Buchse | 55.65.105 | |
| 22 | 8 | Scheibe | 12.40.090 | A10,5 (9021) |
| 23 | 4 | 6kt.-Schraube | 12.51.302 | M10x90 (931) |
| 24 | 4 | Sicherungsmutter | 12.55.065 | M10 (985) |
| 25a | 4 / 2 | Laufrolle, Sacklochbohrung Ø25 | 10.09.679 | PA 6; Ø60x48,5 |
| 25b | 0 / 2 | Laufrolle, Durchgangsbohrung Ø25 | 10.28.202 | PA 6; Ø60x48,5 |
| 26 | 4 | Sicherungsmutter | 12.55.114 | M16 (985) |
| 27 | 2 | Mittelbolzen | 55.57.016 | |
| 28 | 4 | Scheibe | 12.40.135 | A17 (9021) |
| 29 | 2 | Gewindestift | 12.54.165 | AM6x16 (916) |
| 30 | 4 | Rohe Scheibe 9 | 12.40.080 | (1441) |
| 31 | 4 | 6kt.-Mutter | 12.55.041 | M8 (934) |

Sliding and Tipping Platform



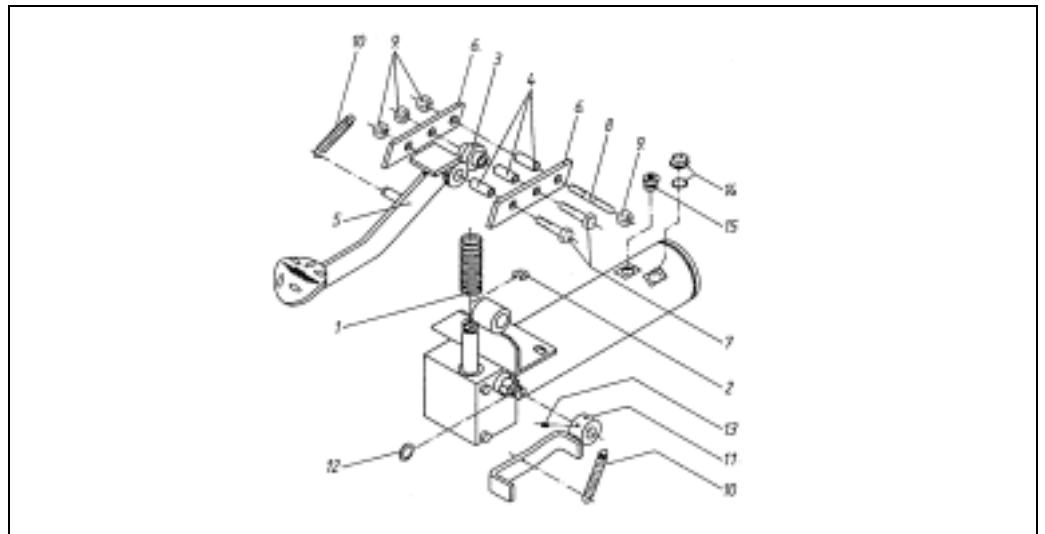
| Pos. | Stückzahl | Benennung | Best.-Nr. | Bemerkung |
|------|-----------|---|-----------|-----------------------------|
| 1 | 2 | Führungsrolle | 10.18.214 | PA 6.6 Ø 45x23 mm |
| 2 | 2 | Führungsrolle | 10.28.219 | PA 6.6 Ø 42x23 mm |
| 3 | 2 | Buchse | 10.02.272 | GSM 25-28-12 |
| 4 | 2 | Lagerbolzen | 12.16.159 | |
| 5 | 1 | Spindel, Neigung | 57.78.082 | verzinkt |
| 5a | 1 | Axialrillenkugellager | 10.02.031 | DIN 711-511 03 |
| 5b | 1 | Stellring | 12.16.612 | DIN 705-A16 |
| 6 | 1 | Spindel, Längsverschiebung | 52.78.081 | verzinkt |
| 6a | 1 | Axialrillenkugellager | 10.02.031 | DIN 711-511 01 |
| 6b | 1 | Axialrillenkugellager | 10.02.031 | DIN 711-511 01 |
| 7 | 1 | Spindel, Querverschiebung | 52.78.080 | verzinkt |
| 7a | 1 | Axialrillenkugellager | 10.02.031 | DIN 711-511 01 |
| 7b | 1 | Axialrillenkugellager | 10.02.031 | DIN 711-511 01 |
| 8 | 1 | Mittelbolzen | 12.16.066 | Rd. 30x43 DIN 668-S235JRG2K |
| 20 | 4 | Laufrolle mit Durchgangsbohrung Ø 25 mm | 10.28.202 | PA 6; Ø60x48,5 |

Hydraulics



| Pos. | Stückzahl | Benennung | Best.-Nr. | Bemerkung |
|------|-----------|------------------------|-----------|--------------|
| 1 | 2 | Zylinder | 11.19.071 | ø40x450/600 |
| 2 | 2 | Dichtungssatz | 50.97.066 | ø 40 |
| 3 | 4 | Buchse | 10.02.264 | 16x18x20 |
| 4 | 4 | Bolzen | 55.56.132 | ø16x66 |
| 5 | 2 | Bolzen | 55.56.132 | |
| 7 | 2 | Spannhülse | 12.54.165 | |
| 8 | 4 | Gewindestift | 12.54.165 | AM6x16 (916) |
| 9 | 1 | Hydraulikschlauch | 10.19.103 | 1050mm lg. |
| 10 | 1 | Hydraulikschlauch | 10.19.116 | 400 mm lg. |
| 10a | 1 | L-Verschraubung | 12.19.237 | |
| 11 | 2 | Leitungsbruchsicherung | 10.19.415 | |
| 12 | 1 | Fußpumpe | 12.19.358 | Tank 450 mm |
| 13 | 2 | 6kt-Schraube M8x25 | 12.50.081 | (933) |
| 14 | 2 | Scheibe A8,4 | 12.40.075 | (125) |
| 15 | 2 | Sicherungsmutter M8 | 12.55.042 | (985) |

Foot pump

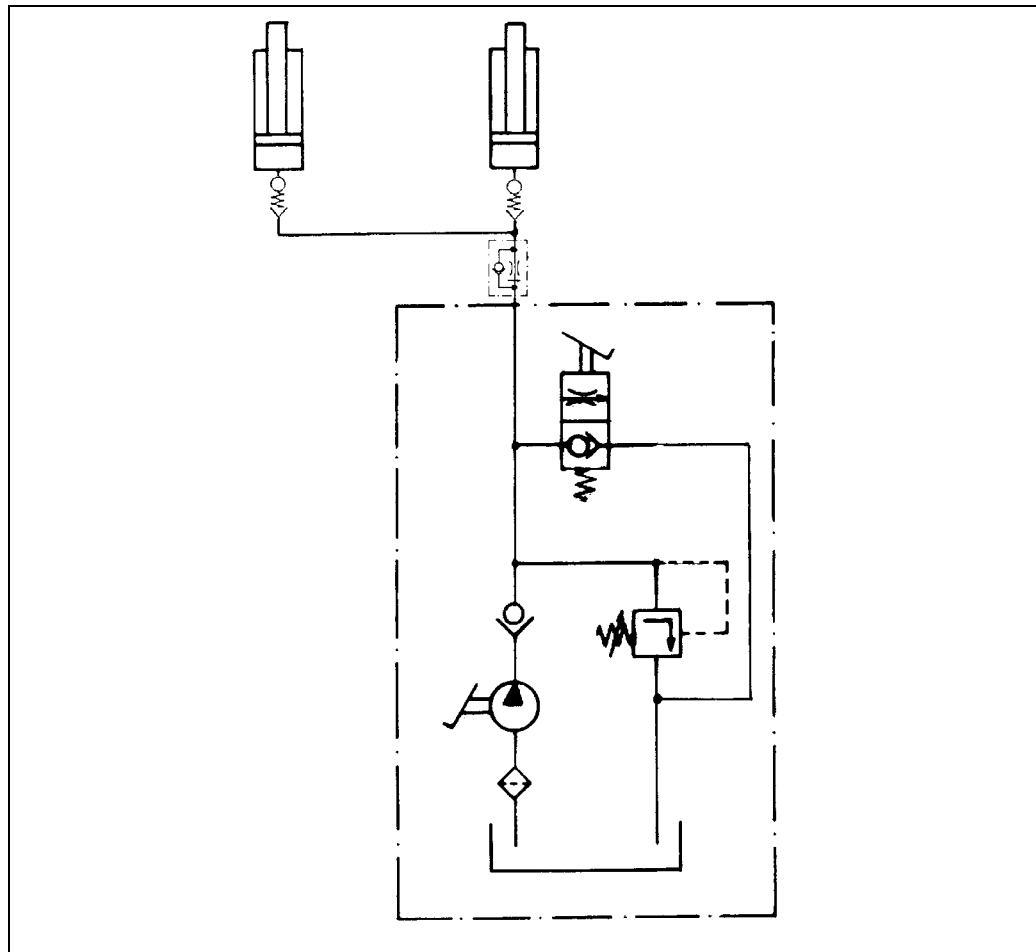


| Pos. | Stückzahl | Benennung | Best.-Nr. | Bemerkung |
|------|-----------|---------------------------|-----------|-------------------|
| 1 | 1 | Spiralfeder | 12.17.015 | |
| 2 | 1 | Sprengring | 10.17.014 | DIN 471 D = 20 F7 |
| 3 | 1 | Bewegungsrolle | 12.17.016 | gehärtet |
| 4 | 3 | Hülse | 12.17.017 | |
| 5 | 1 | Fußpedal | 12.17.050 | |
| 6 | 2 | Verbindungsstück | 12.17.018 | |
| 7 | 2 | 6kt.-Schraube | 12.51.201 | M10 x 60 DIN 931 |
| 8 | 1 | Bolzen | 12.17.019 | |
| 9 | 4 | 6kt.-Mutter | 12.55.061 | M10 934 8.8 |
| 10 | 2 | Zugfeder | 12.17.020 | |
| 11 | 1 | Senkpedal | 12.17.041 | |
| 12 | 1 | Sprengring | 10.17.040 | d = 12 |
| 13 | 1 | Gewindestift | 12.50.022 | AM 8 x 12 DIN 916 |
| 14 | 1 | Ölschauglas und Dichtring | 10.17.042 | R 3/8" |
| 15 | 1 | Entlüftungsschraube | 10.28.616 | R 3/8" |
| | 1 | Dichtungssatz | 50.97.058 | |

Operating Instructions

Appendix

Hydraulic plan



Labels

| | |
|-----------|---|
| Best.-Nr. | |
| 10.33.268 | |
| 10.33.241 | |
| 10.33.243 | |
| 10.33.244 | |
| 10.33.237 | <div style="border: 2px solid black; padding: 10px; text-align: center;"> <p>max. 1000 kg</p> </div> |
| 10.33.342 | |
| 10.33.343 | |
| 10.33.344 | |



BLITZ M. Schneider
Werkzeug- u. Maschinenfabrik
GmbH

Hüfingener Straße 55
D-78199 Bräunlingen
Telefon +(49) 07 71-92 33-0
Telefax +(49) 07 71-92 33-99
eMail info@blitz-schneider.de
Internet www.blitz-schneider.de

