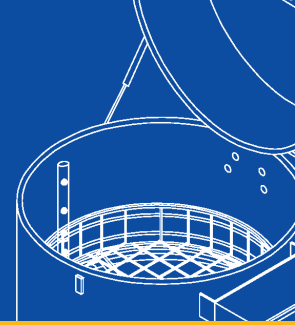


autop Jet-Cleaner RC 82, 122

ca. 1900 mm



Edelstahl
Rost
frei



OPERATIVE RANGE

Repair and maintenance-easy, economical and ecological parts washing for

- car workshops: Jet-Cleaner RC 82
- heavy duty vehicle workshops: Jet-Cleaner RC 122



PARTICULAR FEATURES

The quality of repair and maintenance becomes „visible“ through cleanliness.

APPLICATION

The Jet-Cleaners offers

- easy handling
- automatic operation
- the possibility of programming for working days, week-ends and holidays
- cleaning on the basis of water
- longer lifetime of washing liquid, if equipped with an oil skimmer
- minimum operation costs due to economy isolation



AUTOP[®]
Upwards in security!



autop Jet-Cleaner RC 82, 122



TECHNICAL DATA

	RC 82	RC 122
Useful basket Ø:	770 mm	1140 mm
Useful height:	500 mm	500 mm
Loading height:	930 mm	830 mm
Max. basket load:	300 kg	300 kg
Liquid volume:	140 l	370 l
Pump ratio:	200 l/min	280 l/min
Projection pressure:	3 bars	5 bars
Voltage:	230/400 V/50 Hz 14 A	230/400 V/50 Hz 24 A
Pump motor rating:	1.5 kW	4 kW
Heater rating:	6 kW	9 kW
Basket drive:	Jet of water	E-motor 0.09 kW
Total height:	1300 mm	1300 mm
Total width:	1250 mm	1650 mm
Total depth:	1100-1300 mm	1500-1700 mm
Total depth:	200 kg	350 kg

COMPONENTS

Standard:

- made of stainless steel
- easy handling
- space-saving
- low-water alarm
- suction filter made of stainless steel

Options:

- programmable operation time
- oil skimmer
- special colours
- detergent, baskets for small parts, etc.

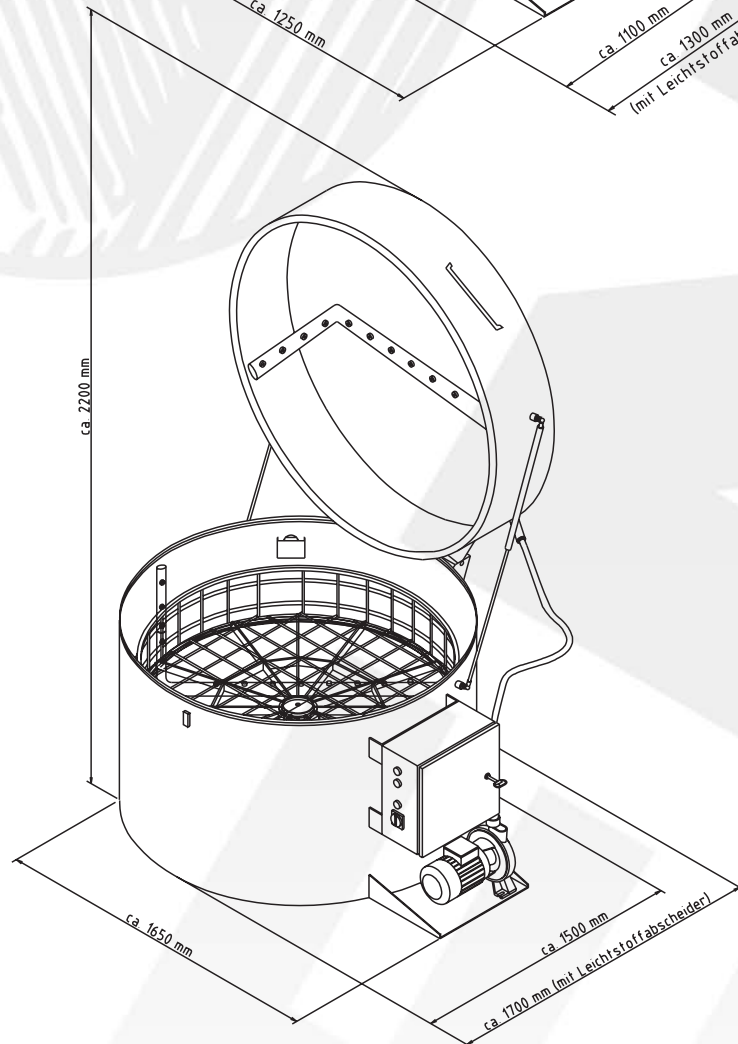
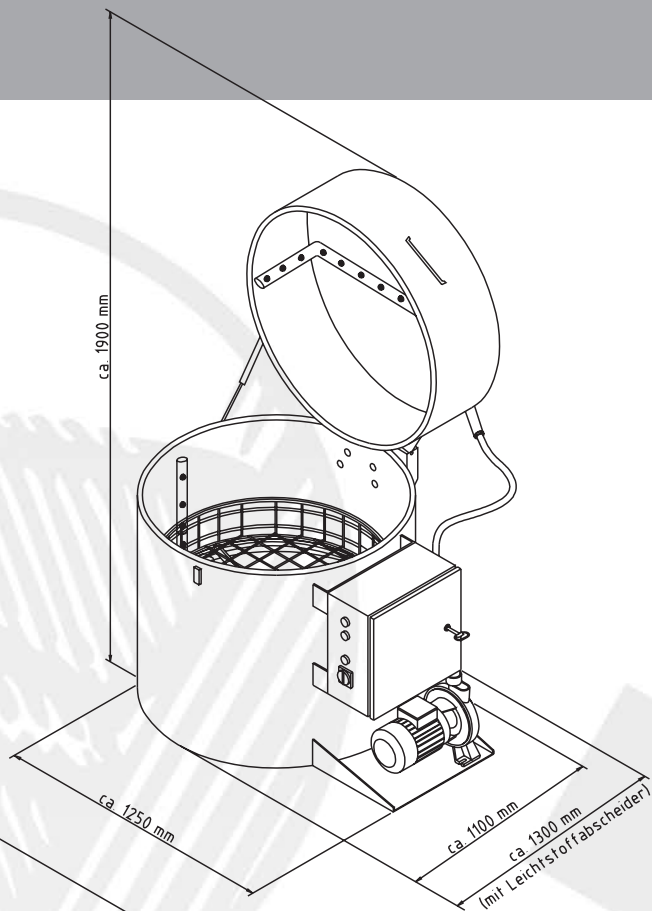
COLOUR

Standard paint

RAL 1004 yellow - Cover
RAL 5019 blue - Housing

MOREOVER

Our expert consultants would appreciate to help you with the planning of a new garage or the modernization of an existing one. We offer to work out a workshop concept including an equipment proposal. Please do not hesitate to contact us.



No liability accepted for specifications that are subject to alteration - validity 08/06
The data and pictures in this product information are not binding and are only giving an approximate description. Moreover we reserve the right of differences between the goods delivered and the data and pictures given here (i.e. technical data, equipment, material and optical appearance) so far as the differences are reasonable for the customer and a possible reduction in value or utility value of the goods delivered is not considerable.

