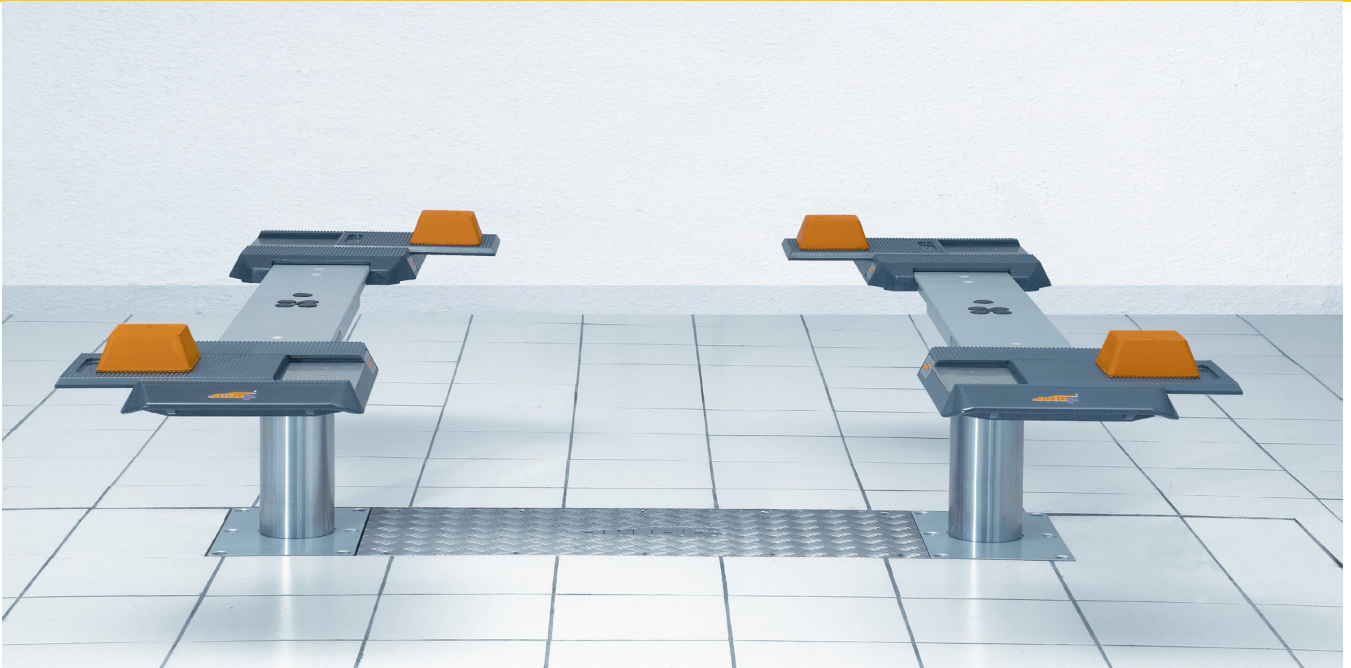


autop Masterlift 2.35 Pv or Pv xy

120-180, 140-200, 160-220



OPERATIVE RANGE:

Check-in, repair and maintenance, test, inspection and reception



PARTICULAR FEATURES:

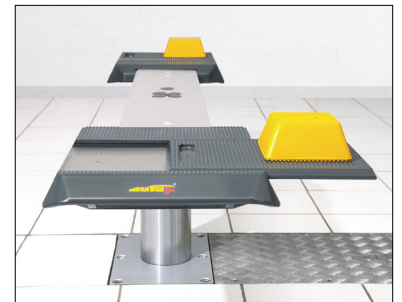
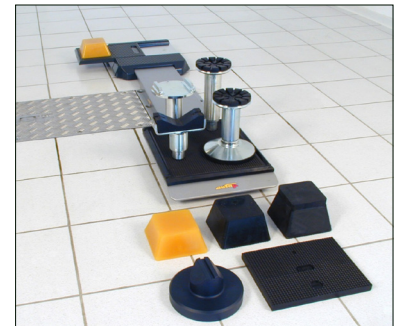
The autop Masterlift Pv offers a reliable lifting of a great range of vehicle types, inclusive special-purpose vehicles.

APPLICATION:

A lift with nice details in the new autop-design. New colours and the completely new design of the control unit, the bearings and the cover of the cassette give a perfect impression of your workshop.

This Masterlift platform lift allows a fast and ease drive-on. The handy, pyramidal rubber pads assure a correct lifting at the recommended lifting points.

Reduced maintenance by the flexible transverse cross arm and control unit with alarm signal, feet-protectors are unnecessary.



Upwards with security!

autop Maschinenbau GmbH * Sandkampstraße 90 * D-48432 Rheine
Tel. +49 (0)5971/8602-02 * Fax +49 (0)5971/860225 * E-Mail: mail@autop.de * www.autop.de



autop Masterlift 2.35 Pv or Pv xy

120-180, 140-200, 160-220

TECHNICAL DATA:

Lifting capacity:	3,500 kg
Piston distance:	1,335 mm
Stroke length:	1,950 mm
Lifting height:	2,020 mm
Lifting/lowering time:	approx. 30 sec.
Cylinder diameter:	2x123 mm
Foundation depth:	2,615 mm
Voltage:	230/400 V / 50 Hz, 16 A,
Pump unit:	3.0 kW

COMPONENTS:

- Two hydraulic cylinders made of micro-alloyed high grade steel with hard-chrome plated surface, cylinder running on teflon sliding rings.
- Support flange guide elements made of high quality special alloy, wear resisting.
- SPS control unit: lifting height individually adjustable, unit with illumination control, that means illumination when the platforms are lifted or as permanent illumination after operating the main switch.
- Flexible traverse cross arm, effective as synchronising/safety device as well as torsional lock.
- Pump unit integrated in the cassette.
- Push button control for lifting/lowering with lockable key switch/main switch and alarm signal instead of feet protectors. With integrated pneumatic emergency drain.
- Installation in a waterproof cassette, dipped galvanized, plastic coated and/or self-carrying on request.
- Two on-floor repair platforms, extendable alternatively:
 - 1,200 - 1,800 mm
 - 1,400 - 2,000 mm
 - 1,600 - 2,200 mm

OPTIONS:

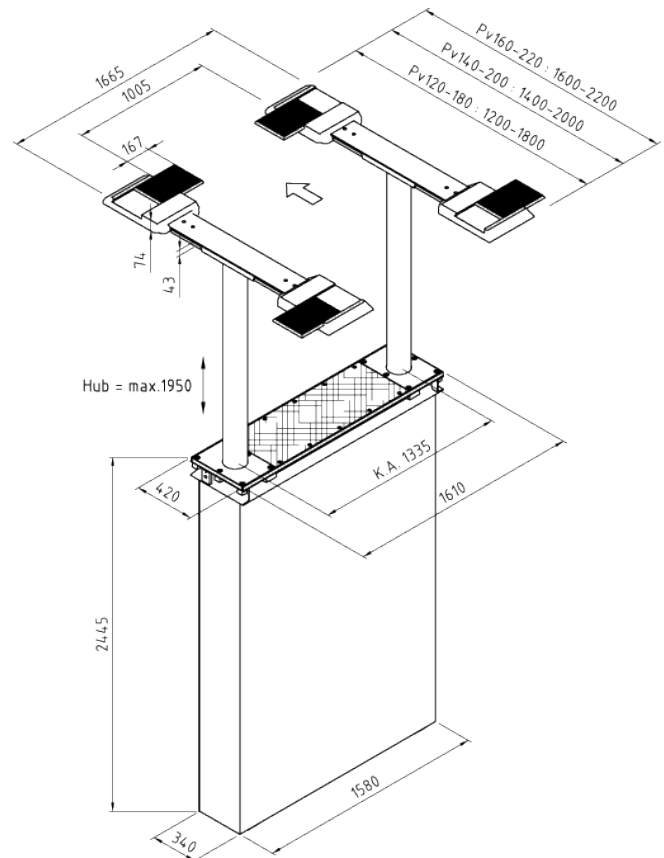
- The optional **xy-heads** increase the comfort and the lifting area.
- **Safety control unit** also available with a **support column** with integrated support for rubber blocs.
- Other accessories on request.

COLOUR:

Standard Pv:	hot-galvanized
Premium Pv:	zinc-coated and painted in RAL 9006

SPECIAL PAINT:

On request



MOREOVER:

Our expert consultants would appreciate to help you with the planning of a new garage or the modernization of an existing one. We offer to work out a workshop concept including an equipment proposal. Please do not hesitate to contact us.

No liability accepted for specifications that are subject to alteration - validity 01/2011

The data and pictures in this product information are not binding and are only giving an approximate description. Moreover we reserve the right of differences between the goods delivered and the data and pictures given here (i.e. technical data, equipment, material and optical appearance) so far as the differences are reasonable for the customer and a possible reduction in value or utility value of the goods delivered is not considerable:



Upwards with security!

autop Maschinenbau GmbH * Sandkampstraße 90 * D-48432 Rheine
Tel. +49 (0)5971/8602-02 * Fax +49 (0)5971/860225 * E-Mail: mail@autop.de * www.autop.de