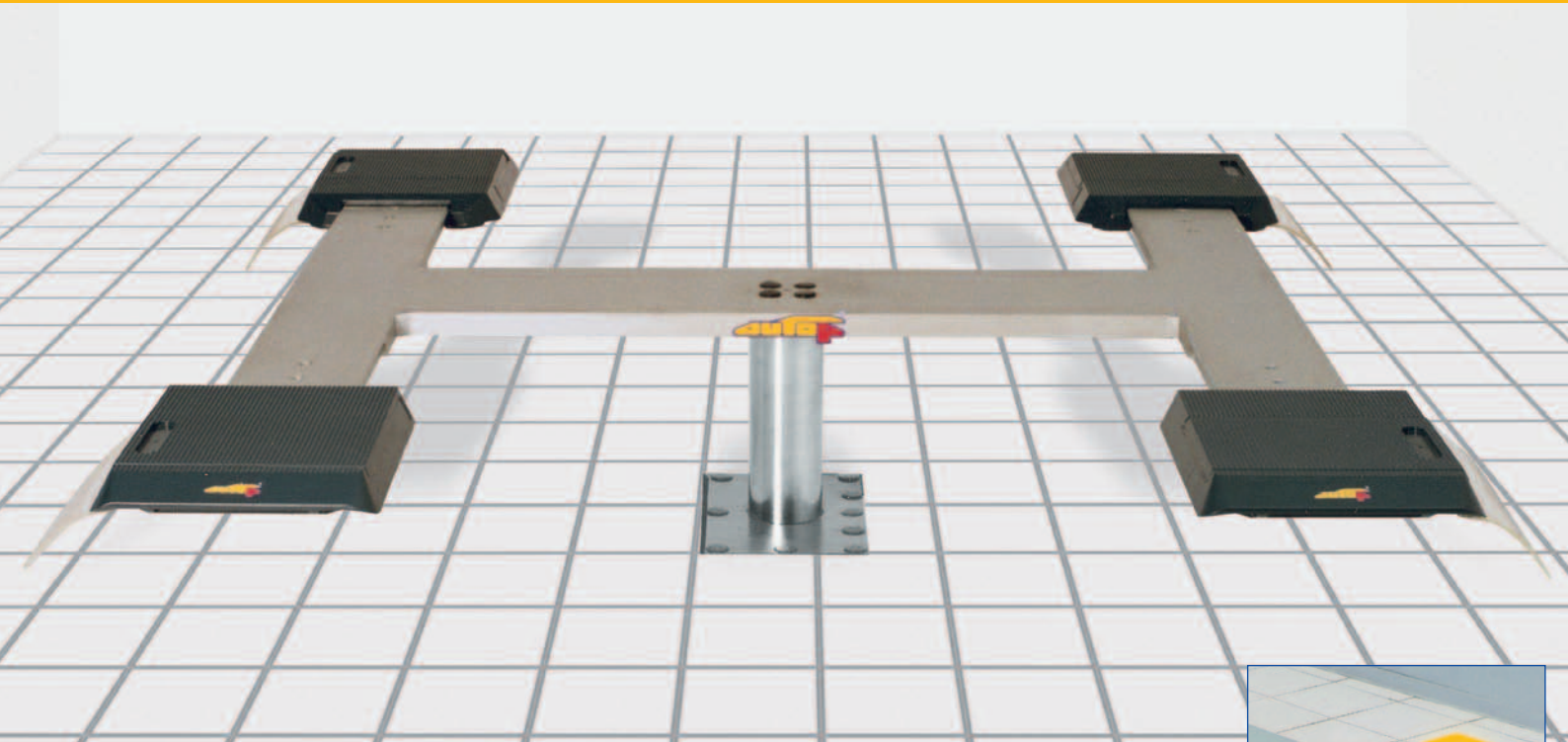
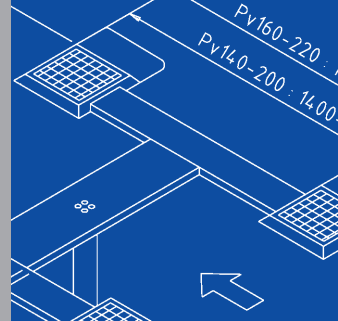


# autop Sololift 1.35 Pv

140-200, 160-220



## OPERATIVE RANGE

Car washing, body repair and general maintenance



lifting capacity of 3500 kg. Due to its comfortable length adjustment you can reach nearly every lifting point of a private/passenger car.

Handy rubber blocs are used for a correct lifting at the recommended lifting points.

## PARTICULAR FEATURES

Using xy-heads increases the lifting area and the lifting safety.

Variable lifting pads make the lifting even of special cars such as off-rovers or great volume cars possible.

## APPLICATION

The H-vario platform has a very low drive-over height, a sturdy construction and a high

The non-sliding surface of the superstructure, the rubber blocs and the lifting pads assure a safe lifting on this autop lift.

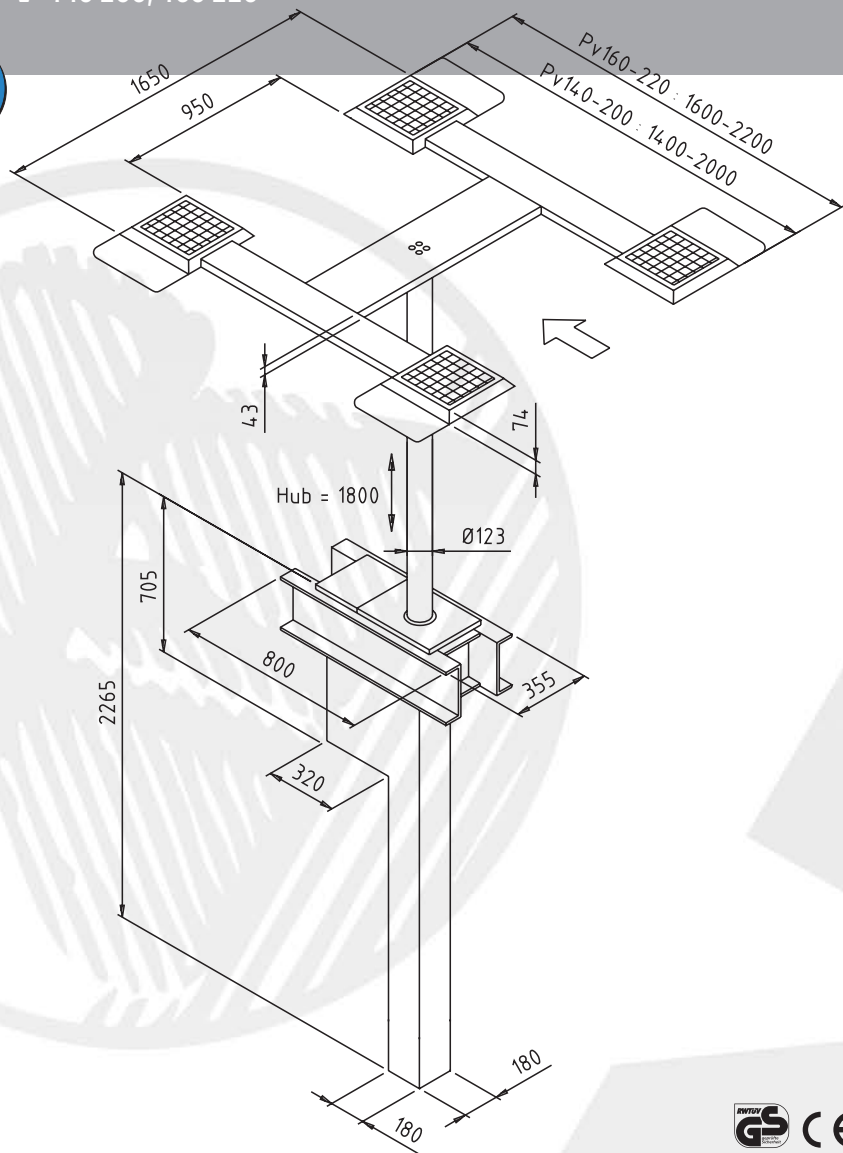


# autop Sololift 1.35 Pv 140-200, 160-220



## TECHNICAL DATA

Lifting capacity:	3500 kg
Stroke length:	1800 mm
Lifting height:	1930 mm
Lifting/lowering time:	30 sec.
Cylinder diameter:	123 mm
Foundation depth:	2400 mm
Voltage:	230/400 V/50 Hz
	16 A
Pump unit:	3.0 kW



No liability accepted for specifications that are subject to alteration - validity of/for the data and pictures in this product information are not binding and are only giving an approximate description. Moreover we reserve the right of differences between the goods delivered and the data and pictures given here (i.e. technical data, equipment, material and optical appearance) so far as the differences are responsible for the customer and a possible reduction in value or utility value of the goods delivered is not considerable.



## COMPONENTS

- Inversed hydraulic cylinder made of micro-alloyed high grade steel with hard-chrome plated surface; cylinder running on teflon sliding rings, pre-fitted from factory with integrated double anti-rotation device.
- Bearing guide element made of high quality special alloy, wear resisting.
- Integrated or wall-mounted pump unit.
- Push button control for lifting/lowering with lockable main switch and integrated emergency drain.
- Installation in a waterproof cassette, on request dipped galvanized.
- H-Vario platform, extendable from 1400-2200 mm, sturdy welded and galvanized.

## COLOUR

### Standard paint

galvanized and painted  
RAL 9006

### Special paint:

On request

## MOREOVER

Our expert consultants would appreciate to help you with the planning of a new garage or the modernization of an existing one. We offer to work out a workshop concept including an equipment proposal. Please do not hesitate to contact us.

