

autop M 2.30 F



OPERATIVE RANGE:

Repair and maintenance



PARTICULAR FEATURES:

2 motors, electro-mechanical 2-post lift without base frame

APPLICATION:

The autop M 2.30 F is a 2 motor, electromechanical 2-post lift for repair and maintenance, with a lifting capacity of 3,0 t.

The autop M 2.30 F is characterised by it's ease operation, due to the digital control box with alarm signal for a secured lowering and an automatical arm locking system

A choice of U- and Flex pads is available for all models.

Flex pads: 85 - 115 mm

Optional U-pads

Optional Flex pads





autop M 2.30 F

TECHNICAL DATA:

Capacity:	3000 kg
Lifting / lowering time:	approx. 50 Sek.
Voltage:	230/400V/50Hz
Lifting height:	2005 mm
Minimum height:	85 mm
Min./Max. length of arms:	560/760 mm and 830/1330 mm
Motors:	2 x 2.2 kW

COMPONENTS:

- Proven construction of the posts
- Spindel: cold-rolled, centred, long working life
- Nut set: highest quality due to special synthetic alloy
- Safety systems:
 - nut breaking system
 - Internal arm locking device that automatically releases in bottom position
 - Control unit with alarm signal

OPTIONAL:

- A wide range of pads is available
- Portal for cables

STANDARD COLOURS:

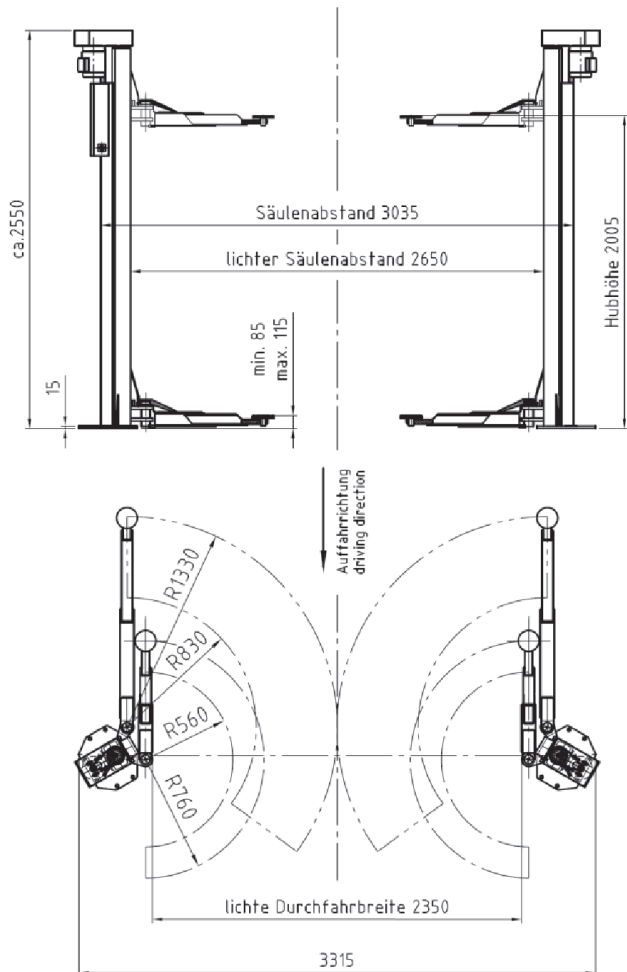
posts RAL 7042 grey
arms RAL 7016 anthrazite

MOREOVER:

Our expert consultants would appreciate to help you with the planning of a new garage or the modernization of an existing one.

We offer to work out a workshop concept including an equipment proposal.

Please do not hesitate to contact us!



No liability accepted for specifications that are subject to alteration - validity: 02/2011

The data and pictures in this product information are not binding and are only giving an approximate description. Moreover we reserve the right of differences between the goods delivered and the data and the pictures given here (i. e. technical data, equipment, material and optical appearance) so far as the differences are reasonable for the customer and a possible reduction in value or utility value of the goods delivered ist not considerable.

