

autop Mascot 3322 F & CF



OPERATIVE RANGE:

Repair and maintenance



PARTICULAR FEATURES:

2-motor, 2-post electro-mechanical lift without base frame.

APPLICATION:

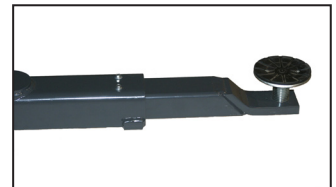
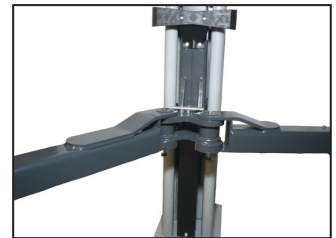
The autop Mascot 3322 F + CF is a 2-motor, 2-post electro-mechanical lift for repair and maintenance with a lifting capacity of 3.0 t.

This lift is equipped with system against nut breakage, internal arm locking system that is automatically released in bottom position; as well as dead-man controls, separate main switch and obstruction system.

New arm design

F-arms

CF-arms

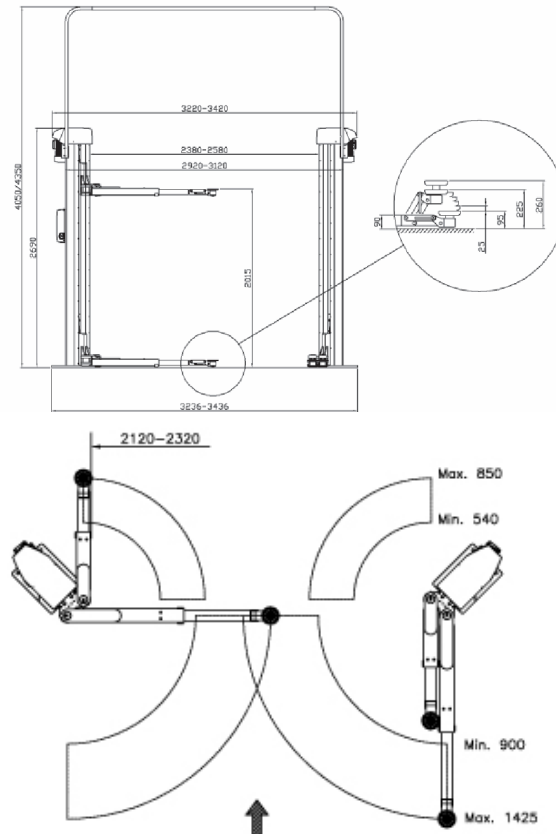
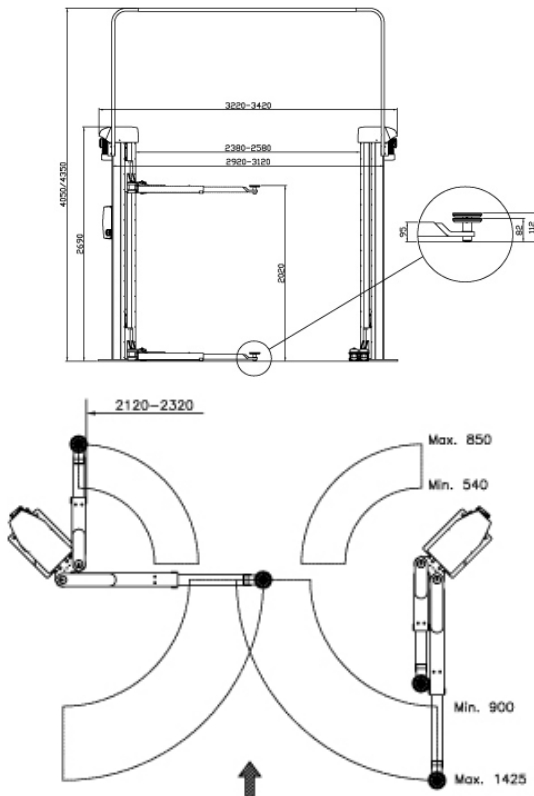




autop Mascot 3322 F & CF

TECHNICAL DATA:	Mascot 3322 F
Lifting capacity:	3000 kg
Lifting/lowering time:	ca. 40 Sec.
Voltage:	230/400V/50Hz
Motors:	2 x 1,5 kW
Stroke length:	2020 mm
Min. height:	100 mm
Min./max. arm length:	540/850 mm 900/1425 mm

TECHNICAL DATA:	Mascot 3322 CF
Lifting capacity:	3000 kg
Lifting/lowering time:	ca. 40 Sec.
Voltage:	230/400V/50Hz
Motors:	2 x 1,5 kW
Stroke length:	2015 mm
Min. height:	95 mm
Min./max. arm length:	580/885 mm 930/1425 mm



COMPONENTS:

- Spindle cold-rolled, centered, long working life
- Lifting mechanism: 6 large guiding wheels in lubrication-free needle bearings
- Nut set: best quality due to special plastic alloy
- Safety systems:
 - nut breakage system
 - automatic arm locking system that is automatically released in bottom position
 - dead-man control, separate main switch and obstruction system.
- Asymmetric design allows car doors to be opened freely
- Swivel arms: can be parallel parked, especially for vehicles with a short wheel base

STANDARD COLOURS:

Posts RAL 9002 white
Arms RAL 7016 grey anthracite

OPTIONAL:

A wide range of different lifting pads is available

MOREOVER:

Our expert consultants would appreciate to help you with the planning of a new garage or the modernization of an existing one. We offer to work out a workshop concept including an equipment proposal. Please do not hesitate to contact us.

No liability accepted for specifications that are subject to alteration - validity 03/2011

The data and pictures in this product information are not binding and are only giving an approximate description. Moreover we reserve the right of differences between the goods delivered and the data and pictures given here (i.e. technical data, equipment, material and optical appearance) so far as the differences are reasonable for the customer and a possible reduction in value or utility value of the goods delivered is not considerable

