

Pit lifts
For ergonomic workshop
organisation



- Pit lifts, suspended
- Pit lifting systems
- Floor-running pit lifts
- Gearbox lifts
- Jacking beams
- Supporting packages
- Accessories & load carrying devices
- Segment pit covering
- Pit extension

Lifting with BLITZ

Introduction

There are many different factors in the organisation of the work processes that involve the use of a pit. One of the most important is the choice of the suitable lifting equipment.

The comprehensive range of BLITZ lifts makes your decision an easy one. There are tailor-made concepts for virtually every application.

In developing these concepts, we did more than simply design elements that were functional. We focused on the aspects of ergonomics and safety. Yet another reason why BLITZ lifts are approved by all leading truck manufacturers.

It's now time for "curtain up" on a tour of the world of lifting – with BLITZ.

Page 8
Pit lifts, suspended

Page 12
Pit lifting systems

Page 14
Floor-running pit lifts

Page 16
Gearbox lifts

Page 18
Jacking beams

Page 20
Supporting packages

Page 22
Accessories & load carrying devices

Page 24
Segment pit covering and pit extension



The modular principle

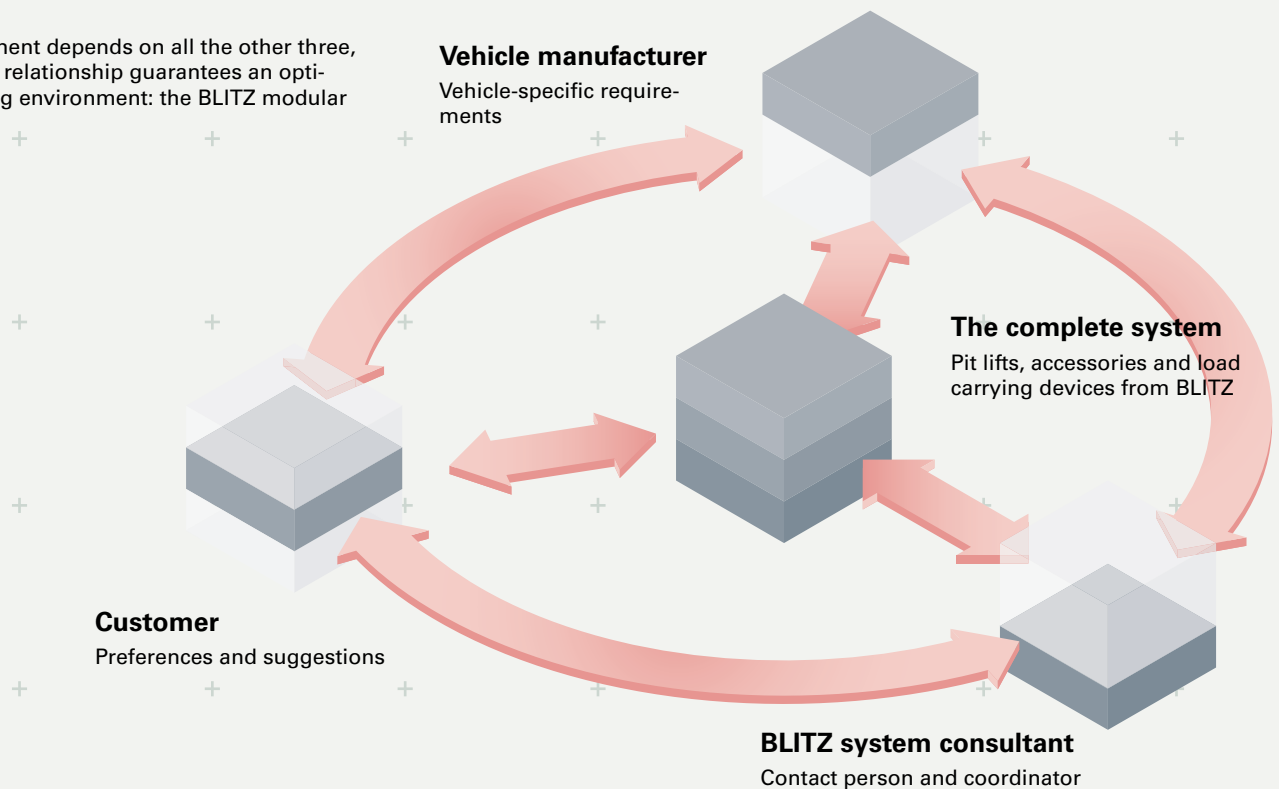
The components that make a perfect match

BLITZ lifts have an inherently open system architecture. Important parameters are taken into account from the development phase on. Open interfaces guarantee optimum interplay between all the vital components of the pit working environment.

These interfaces, in conjunction with BLITZ load carrying devices and BLITZ accessories, make it possible to handle virtually any vehicle.

Interplay

Each component depends on all the other three, and only the relationship guarantees an optimum working environment: the BLITZ modular principle.



Safety package

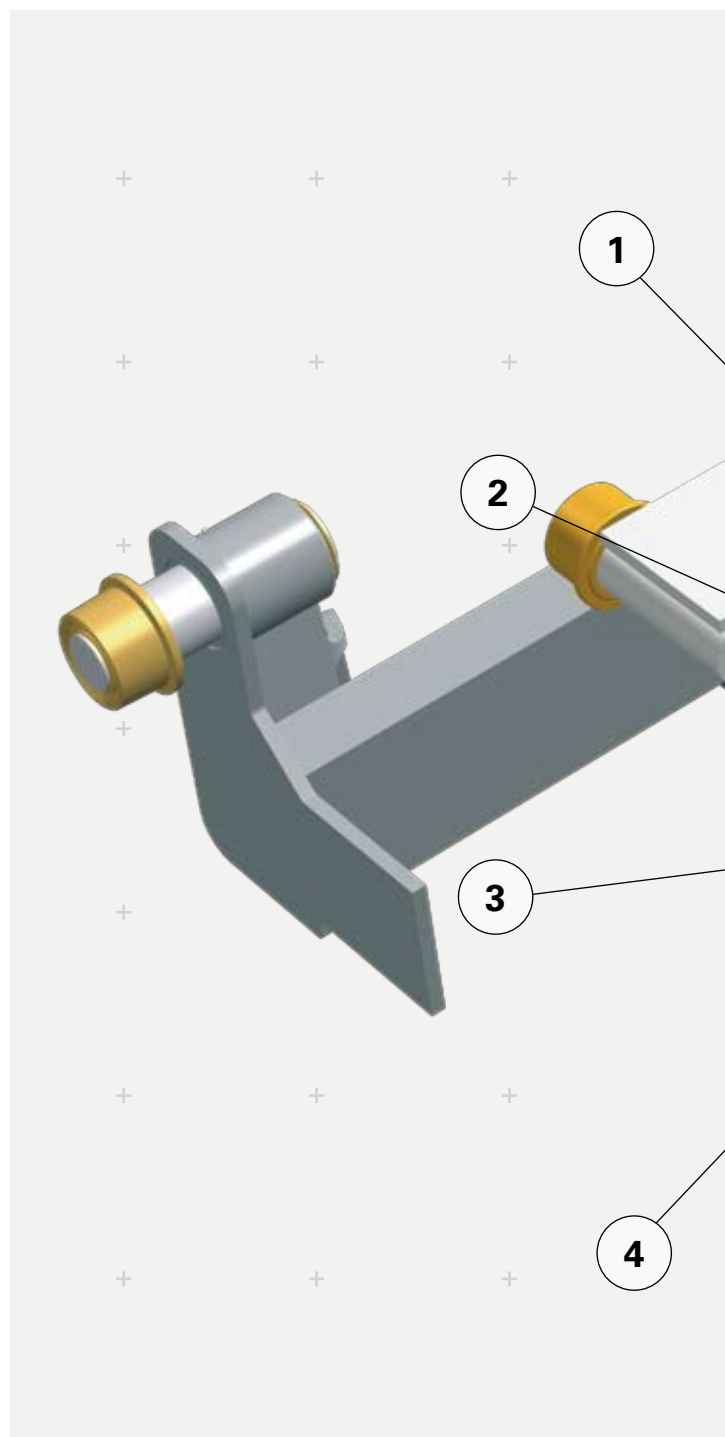
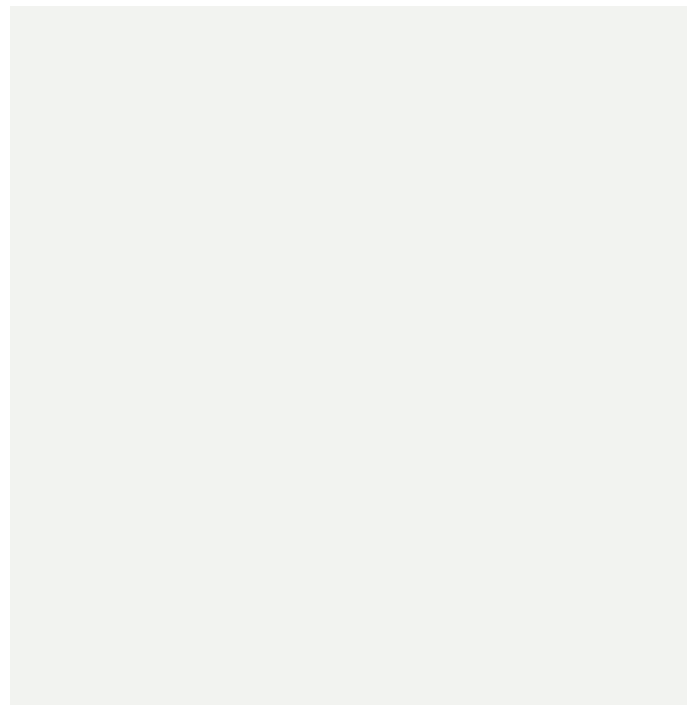
Protection all-round for any matter

Safety and its significance when working in a pit are often underestimated. Yet when large loads are being handled every day, it is a matter of vital importance.

BLITZ lifts are developed from the outset with the aim of assuring maximum safety for the operator – without any compromises. As a result, the safety features of our lifts define the standard for modern lifting equipment.

Safety at a glance

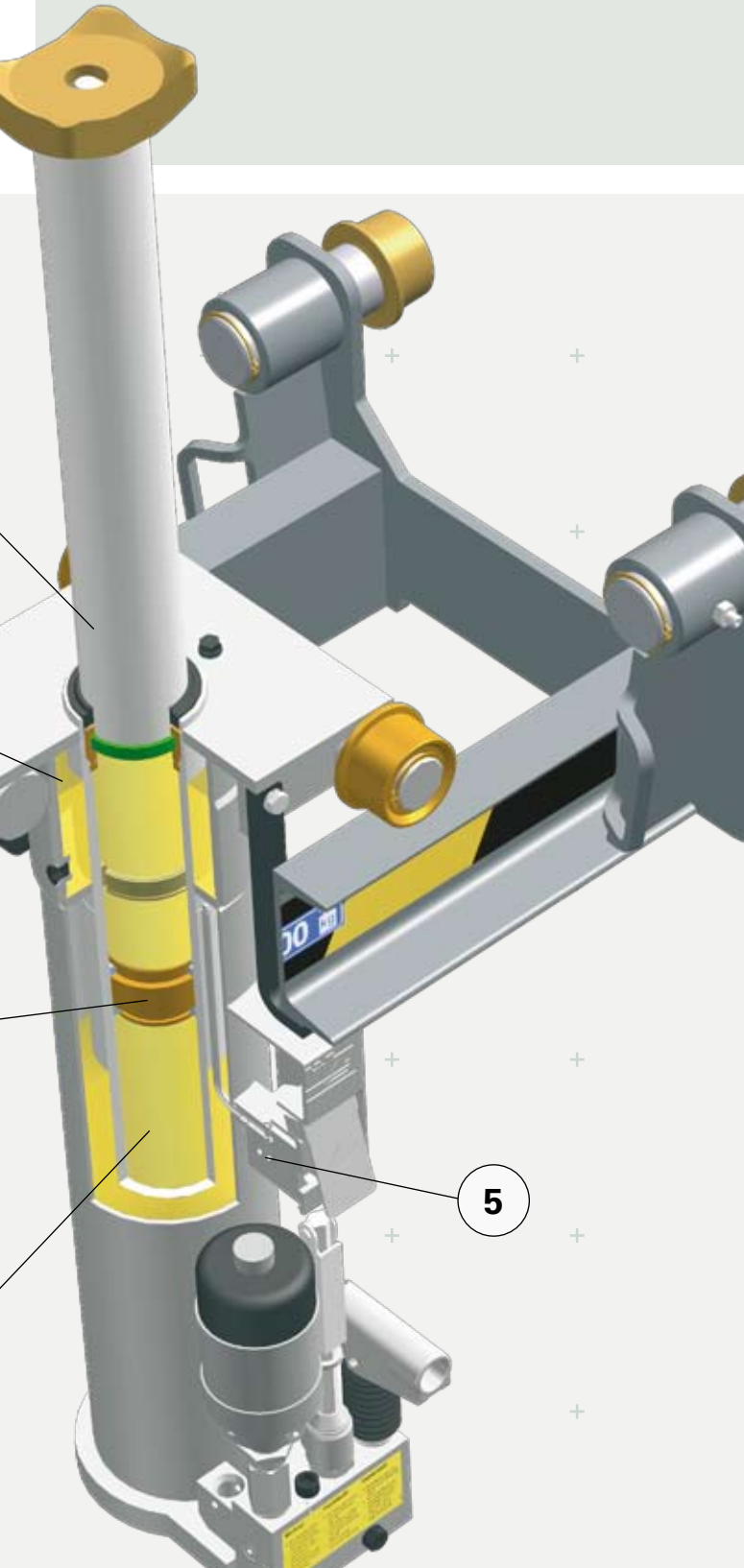
● **1. Safe dimensions:** The sturdy design of BLITZ lifts is reflected in the substantial diameters of the piston rods. They are thus able to withstand safely the external forces and bending moments to which they are subjected. ● **2. The patented BLITZ corrosion prevention system:** Fully hydraulic lifting unit – during every lifting and lowering movement, the cylinder is submerged in oil on either side of the sealing sleeve. This means that both the piston rod and the cylinder are constantly in an oil bath, effectively protecting the cylinder walls against corrosion. ● **3. Safe guides:** The piston rod's long guide guarantees optimum absorption of lateral forces. As loads are only very rarely supported centrally, this aspect is particularly important. ● **4. Safe seals:** The seal between the piston rod and the pressure cylinder is applied via sleeves on internal sleeve supports. This prevents the sealing sleeves from being damaged in the event of the piston rod sustaining external damage. Pressure loss which would cause the lift to lower in an uncontrolled manner is thus avoided. ● **5. Safe connections:** On the BLITZ design, all oil-carrying assemblies are flanged directly onto the lift. Components that are prone to wearing, such as hose connections etc., are thus avoided altogether. Incidentally, this arrangement allows maximum clearance between the lift and the walls of the pit.



Operator convenience For an ergonomic workplace

A well thought-out operating concept is an integral aspect of every BLITZ lift. Reassuringly clear symbols and large-area controls are used to create a familiar working environment. The arrangement of the controls also makes sense to the user.

For example, our mobile pit lifts of the Pit Star/Pit Boy series have foot-operated controls. This leaves the operator's hands free for working on the supposed place – the vehicle.

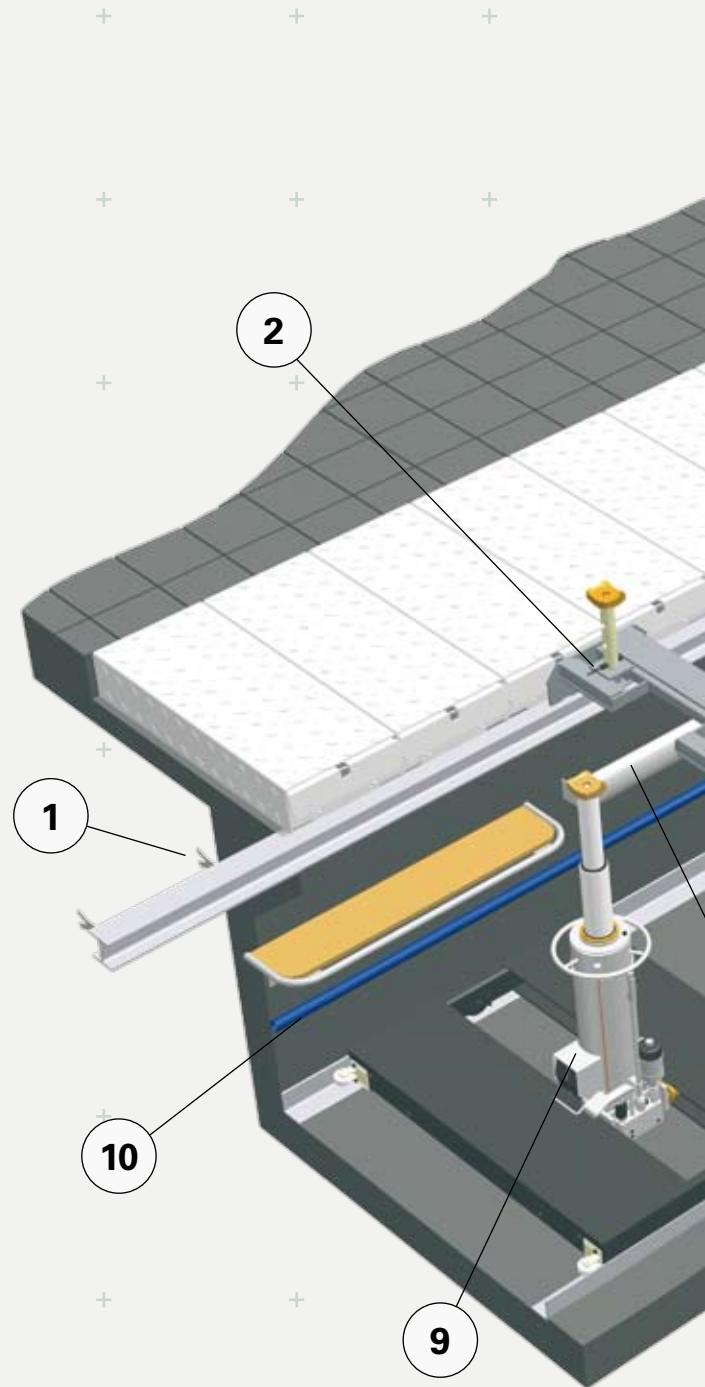


Ergonomics

- **1. Convenient foot-operated controls:** BLITZ pit lifts in the Pit Star and Pit Boy range have foot-operated controls for minimum effort. This leaves the operator's hands free for working on the vehicle.
- **2. Large-area controls:** BLITZ suspended pit lifts are controlled via large controls, which are also easy to operate when wearing gloves.
- **3. Stepless fine-adjustment stroke:** The stepless fine-adjustment strokes with ergonomic hand-operated or foot-operated control permit the load to be approached accurately.

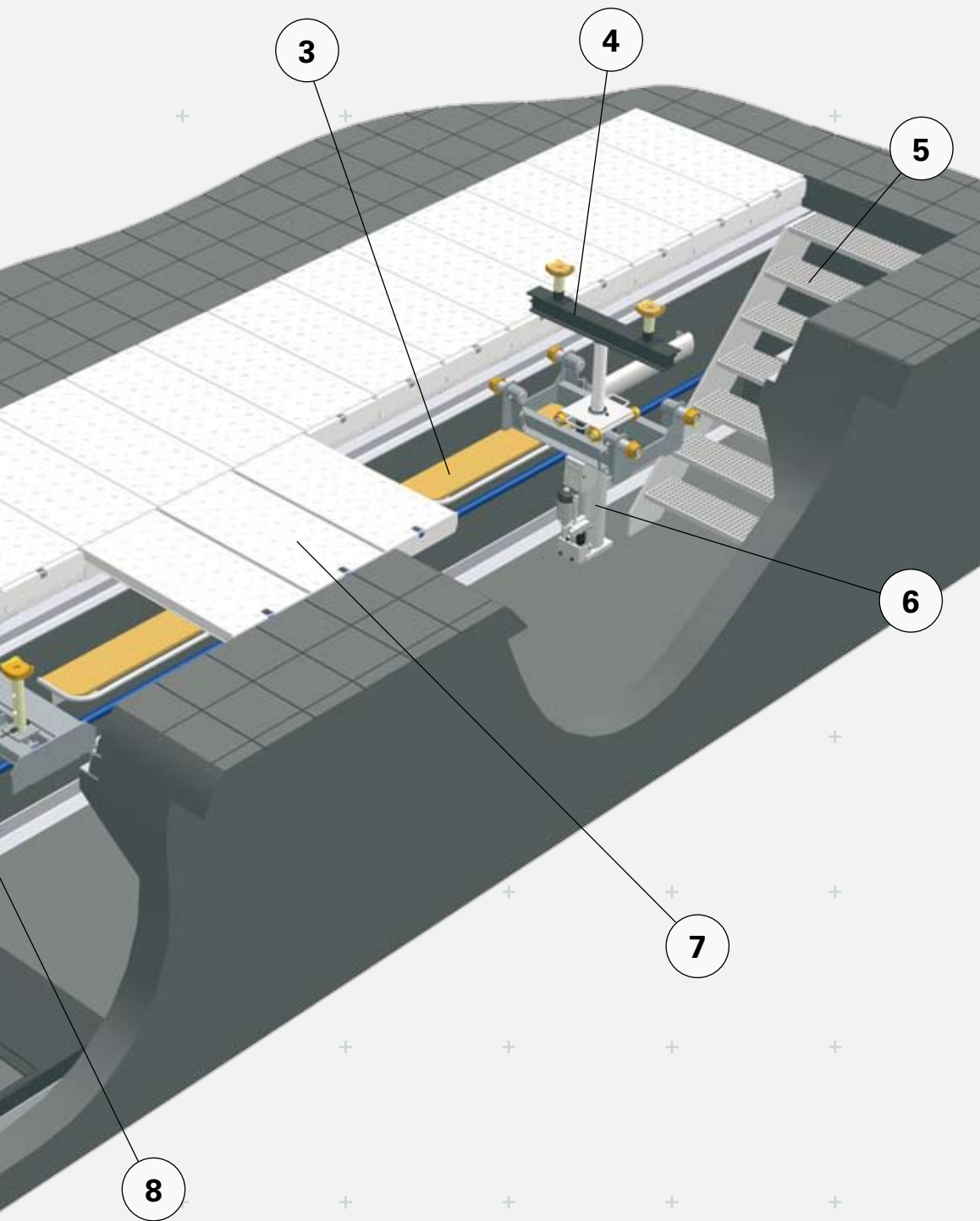
The ultimate workplace The complete working pit

What should every pit have? What factors need to be taken into account? These are questions to which there is no standard answer. As a special service, our customers can request the BLITZ planning guidance and call on the services of an expert BLITZ advisor.



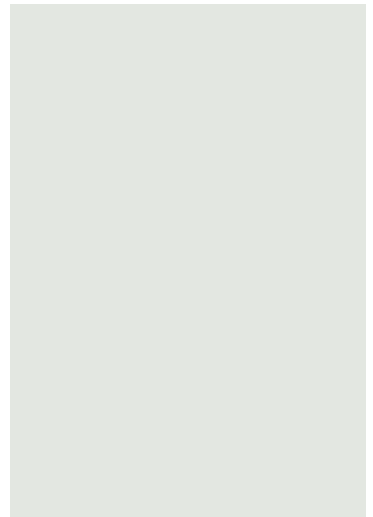
Product features

- **1. Secure bond:** Integral concrete tie elements in the pit edging establish a secure bond with the flooring.
- **2. Safely supported:** To ensure that the raised vehicle cannot topple over, we in addition recommend the use of a supporting bridge. By providing more points of support, it enhances working safety and increases the lift's operating range. See page 20 for more information.
- **3. Storage:** Always hunting around for the right tool? We had a **bright idea:** handy tool shelves on the inside walls of the pit.
- **4. Supported:** ATS, the standard traverse from BLITZ. The ideal 2-point support for loaded axles and for bypassing the differential – increasingly an essential requirement!
- **5. Access:** Stairs of steel or concrete at both ends of the pit provide safe access.
- **Remember:** always provide two sets of stairs*.
- **6. Classic:** BLITZ suspended pit lifts typify the classic pit lift. They incorporate all the typical features of a BLITZ lift. For example, the patented corrosion protection system and the large-area controls.
- **7. Open sesame!:** Open just those sections where you need an opening in the pit. And if you no longer need it open, simply close it up again – swiftly and effortlessly. The BLITZ segment pit covering opens up a new dimension



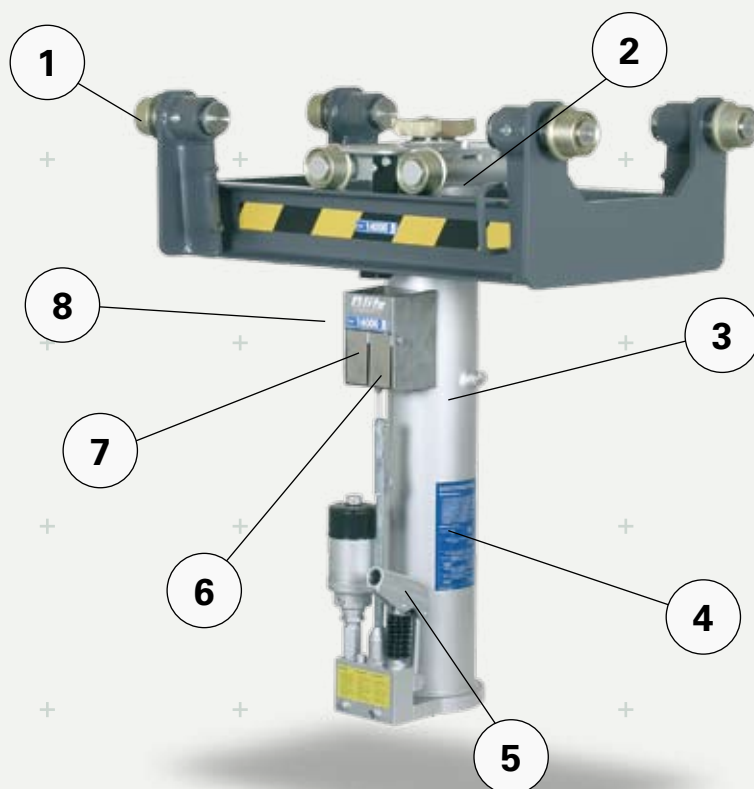
of versatility and safety. **Suggestion:** incorporate it into your plans right from the outset. ● **8. Illumination:** Illumination on the workplace does not only facilitate a lot of things, but essentially contributes to safe operations in the pit. It helps to show things in a new "light". ● **9. Surface grip:** BLITZ mobile lifts can be repositioned on rails. The extra-flat carriage and the compact design allow maximum freedom of movement inside the pit. Entirely foot-operated, for an ergonomic working environment. ● **10. Pressure on:** Every pit needs a supply of compressed air. For instance to operate the high-performance BLITZ lift. **Suggestion:** fit a compressed-air connection with water separator.

* As required in the safety regulations of German industrial insurers, e. g. BGR 157



Pit lifts, suspended

The classic pit concept



Product features

● **1. Smooth running:** The standard needle roller bearings on the carriage rollers permit effortless sliding of the lift inside the pit. ● **2. Durability:** Both the piston rod and the pump piston are hard-chrome plated, for protection against corrosion and wear. ● **3. Fully hydraulic lifting unit:** Thanks to the patented BLITZ corrosion prevention system, during every lifting and lowering movement the cylinder is submerged in oil on either side of the sealing sleeve. This means that both the piston rod and the cylinder are constantly in an oil bath, effectively protecting the cylinder walls against corrosion. ● **4. Time-saving (I):** The hydro-pneumatic quick lift rapidly moves the piston rod to the lifting point. ● **5. Precision:** The stepless fine-adjustment stroke permits the pit lift to be positioned accurately at the vehicle. Important for responsive lifting and when offering up assemblies. ● **6. Time-saving (II):** The hydro-pneumatic forced return rapidly retracts the piston

even when off-load. Unlike conventional pit lifts, the piston is in effect “pulled” back into its rest position. ● **7. Minimum effort:** The load stroke of the pneumatic motor enables the load to be lifted at the push of a button – without any physical effort. ● **8. Ergonomics:** To allow maximum freedom for movement in the pit, the operating elements are flanged onto the front. Large-area controls permit responsive operation even when wearing gloves.

+ The illustration shows GHUSP 14. Note: Some of the above features are options available at extra charge.

For all eventualities

There are over 100 different standard versions of BLITZ suspended pit lifts. The large number of different equipment versions makes the choice of a BLITZ lift an easy one.

The universal design of these lifts means that they can be used in all conventional pit profiles. There are in addition various carriage versions for matching individually to the pit.

GH/GHL

The *entry-level models*, with hand hydraulic idle and load stroke. Ideal for working environments where the lift is rarely used. The GHL version with an 800 mm stroke is also useful for removing units and gear-boxes.



GHS/GHSL

Based on the GH/GHL version, this in addition has *hydro-pneumatic quick lift for off-load stroke*. This saves precious time, as it is no longer necessary to pump up the lifting piston via a hydraulic hand pump when off-load. Load stroke is carried out by means of a hydraulic hand pump.



GHUS/GHUSL/GHUST

The basic equipment is identical to the GHS/GHSL models, except for the integral *hydro-pneumatic forced return*. The lifting piston is returned rapidly to the basic position even when not loaded, for a greater time saving.



GHSP/GHSLP

An additional *air motor* means that the load can be raised effortlessly at the push of a button. As on other models, the quick lift is performed hydro-pneumatically.



GHUSP/GHUSLP/ GHUSTP

The top models of the BLITZ suspended pit lifts share the features of the GHSP/GHSLP and also have *hydro-pneumatic forced return*. The GHUSTP models with the telescopic design can be used both as a traditional axle lift and also for dismantling gearboxes.



GHUSE/GHUSLE

The *electric pit lifts* from BLITZ have an electro-hydraulic load stroke, hydraulic forced return and a stepless fine stroke via an auxiliary hydraulic hand pump.



TwinRam Jack S2

With the new dual cylinder model TwinRam Jack from BLITZ you can create a new sensation of space in the pit. Apart from the two particularly slim lifting cylinders and an even flatter carriage, there is actually nothing that can get in your way. The innovative PTC system, needle roller bearings, and the mechanical forced return, will all increase productivity at the workstation.



Capacity acc. to
VBG 14 CE

t t

Stroke

mm

2 hand pumps
(from 10 t)

Quick lift
2 hand pumps
(from 10 t)

Forced return
Quick lift
2 hand pumps
(from 10 t)

Air motor
Quick lift
1 hand pump

Air motor
Forced return
Quick lift
1 hand pump

Electro-
drive
Forced
Quick
1 hand

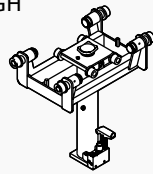
Pit lifts, suspended

Plunger version, capacity 4-30 t, stroke 600 mm

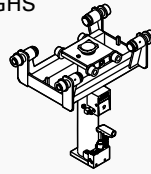
4	4,5
6	6,5
10	11
14	15,5
16	17,5
20	22
30	33

600
600
600
600
600
600
600

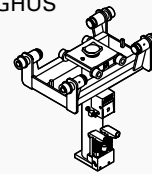
GH



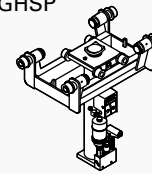
GHS



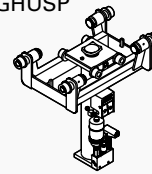
GHUS



GHSP



GHUSP



GHUS



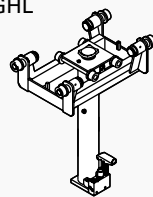
Pit lifts, suspended

Plunger version, capacity 4-30 t, stroke 800 mm

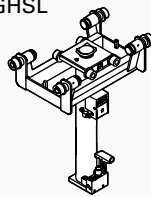
4	4,5
6	6,5
10	11
14	15,5
16	17,5
20	22
30	33

800
800
800
800
800
800
800

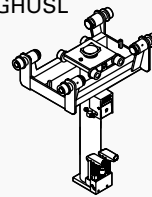
GHL



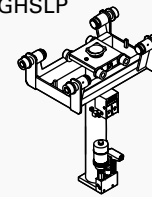
GHSL



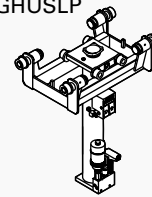
GHUSL



GHSLP



GHUSLP



GHUSL



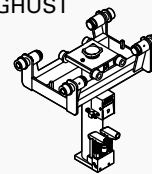
Pit lifts, suspended

Telescopic version, capacity 4-20 t, stroke 1100/1200 mm

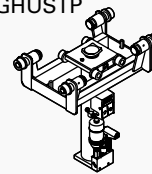
10/4	11/4,5
14/6	15,5/6,5
14/14	15,5/15,5
20/14	22/15,5

1100
1100
1200
1200

GHUST



GHUSTP



Pit lifts, suspended

Plunger version with two pistons, capacity 15 t, stroke 400 mm

2 x 7,5	2 x 8,3
---------	---------

400

- ① Determination of Capacity
- ② Determination of lifting height
- ③ Determination of execution
- ④ Determination of installation dimensions

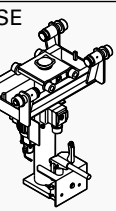
The code letters and what they mean

The various BLITZ lifts can easily be distinguished by their code letter combinations:

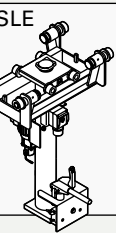
- G Pit lift
- H Hydraulic lift
- U Forced return of the piston rod
- S Quick lift for rapid movement through no-load range
- L Long-stroke model: stroke 800 mm
- P Load stroke by air motor
- E Electro-hydraulic drive
- W Pneumatic lift
- T Telescopic version
- F Underfloor lift
- FF Mobile lift
- K Jacking beam lift for platforms

Pro-hydraulic Air motor
 Forced return
 Quick lift
 d return
 k lift
 d pump

Peg diameter	Dimensions		Carriage*; standard		Carriage*; lowered		Weight, approx. kg	Capacity acc. to	
	r	u	b1**	c	b1**	c		VBG 14	CE
mm	mm	mm	mm	mm	mm	mm		t	t
55	180	80	838	51	1026	-137	182	4	4,5
55	180	80	838	51	1026	-137	182	6	6,5
55	180	80	838	51	1026	-137	182	10	11
55	200	80	838	51	994	-107	210	14	15,5
80	240	95	856	86	1014	-72	280	16	17,5
80	240	95	856	86	1014	-72	280	20	22
80	240	95	836	106	-	-	280	30	33



4



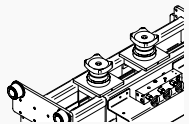
4

55	180	80	1038	51	1226	-137	202	4	4,5
55	180	80	1038	51	1226	-137	202	6	6,5
55	180	80	1038	51	1226	-137	202	10	11
55	200	80	1038	51	1194	-107	227	14	15,5
80	240	95	1056	86	1214	-72	310	16	17,5
80	240	95	1056	86	1214	-72	310	20	22
80	240	95	1056	106	1250	-95	310	30	33

35	180	80	838	92	1026	-137	198	10/4	11/4,5
35	200	80	838	94	995	-63	230	14/6	15,5/6,5
55	240	80	864	118	1022	-40	290	14/14	15,5/15,5
55	240	95	856	125	1014	-33	290	20/14	22/15,5

4

TwinRam Jack S2

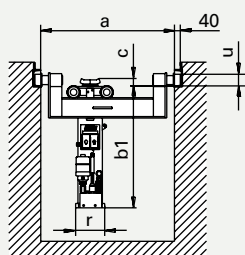


4

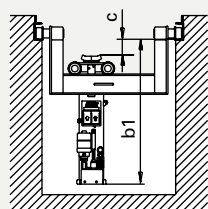
35	-	78	504	170	-	-	195	2 x 7,5	2 x 8,3
----	---	----	-----	-----	---	---	-----	---------	---------

* Carriage versions (for L-type profile):
 Typ V1: 4-11 t a=790-920 mm
 to 15,5 t a=830-920 mm
 Typ V2: 4-11 t a=880-1010 mm
 to 15,5 t a=920-1010 mm

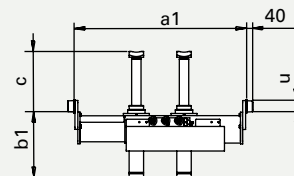
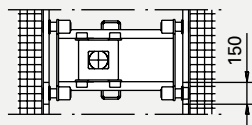
From a capacity of 16 t upwards, all carriages are rigid and made to fit the dimensions of the pit. Dimensions for further profile types on request.
 ** Note:
 Please add 30 mm ground clearance.



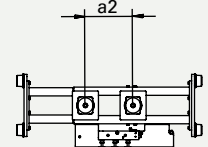
GH Carriage standard



GH Carriage lowered



TwinRam Jack S2



Pit lifts for passenger cars, suspended

The classic pit concept

GWS 2

The basic version of the BLITZ pit lift for passenger cars has pneumatic quick and fine stroke, for gentle extension of the lifting piston.



GWUS 2

In addition to the equipment features of the GWS, this has hydraulic forced return – to save even more time.



Quality in detail

The renowned quality of BLITZ products is assured by ultramodern production facilities. These include high-performance machining centres, as well as precision welding robots and computer-controlled laser cutting machines.

Yet another reason why your preferred lift will usually be available from stock or can be delivered within a matter of days. What is more, BLITZ provides a 15-year parts guarantee!

Pit lifting systems

Pit lifts, suspended, interlinked



A case for the combination

BLITZ pit lifting systems for trucks are ideal for working outside the pit – for tyre and brake servicing tasks, for instance. The permanently bolted-on axle traverses allows a variety of vehicles, in particular complete articulated combinations and buses, to be lifted effortlessly. The electro-hydraulic drive provides all the convenience of a lifting platform.

The lifting units are operated from a mobile central control unit. From the Tandem 3-14-800 upwards, the lifting units are moreover synchronised.



Model	Capacity acc. to		Stroke	Peg diameter	Air pressure	Dimensions				Weight
	VBG 14	CE				r	u	b1	c	
	t	t	mm	mm	bar	mm	mm	mm	mm	kg

Pit lifts for passenger cars, suspended

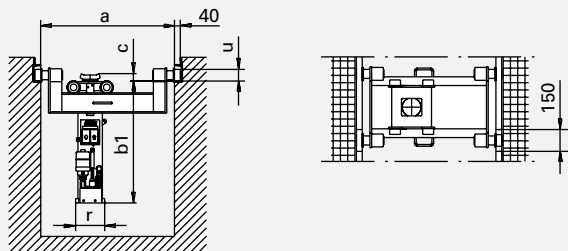
Capacity 2 t, stroke 500 mm

GWS 2	2	2,2	500	35	13	150	50	634	76	78
--------------	---	-----	-----	----	----	-----	----	-----	----	----

Pit lifts for passenger cars, suspended

With pneumatic forced return, capacity 2 t, stroke 500 mm

GWUS 2	2	2,2	500	35	13	150	50	634	76	78
---------------	---	-----	-----	----	----	-----	----	-----	----	----



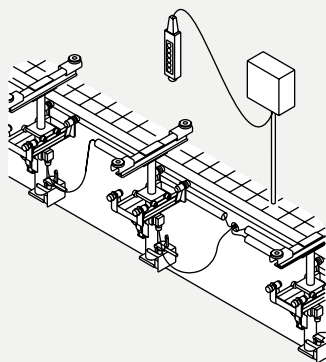
GWS/GWUS

Model	Capacity acc. to		Stroke	Lifting time	Electric motor	Dimensions		Weight
	VBG 14	CE				r	u	
	t	t	mm	s	kW	mm	mm	kg

Pit lifting system, Tandem series

Batch operation, capacity 14 t, stroke 800 mm

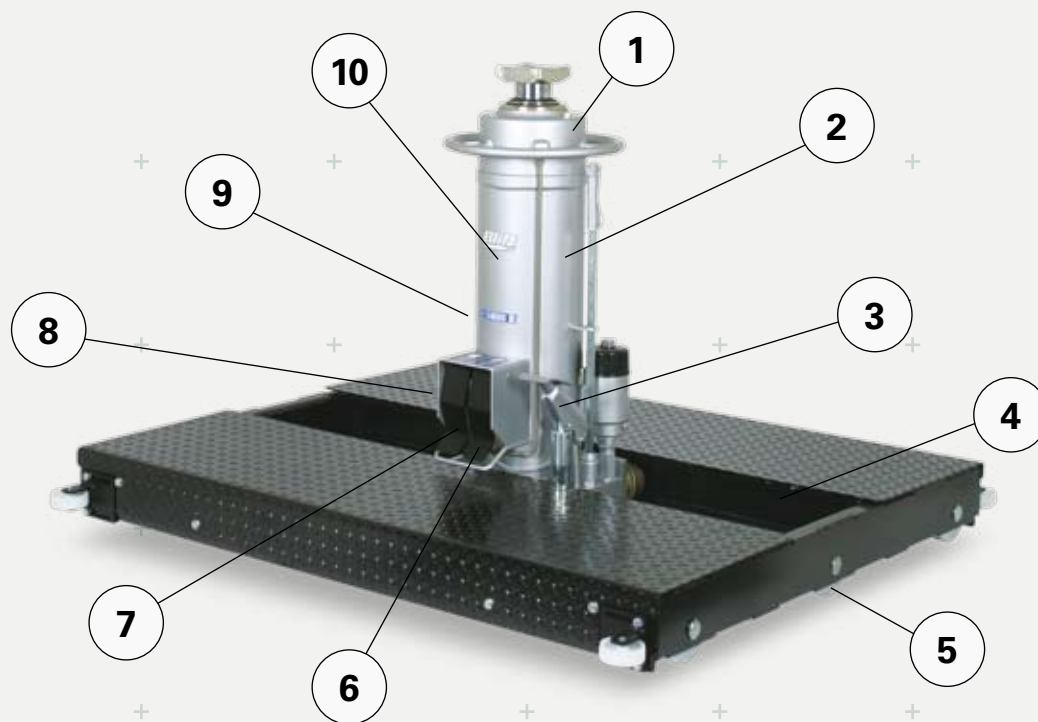
Tandem 2-14-800	2 x 14	2 x 15,5	800	50	2 x 3	240	95	696
Tandem 3-14-800	3 x 14	3 x 15,5	800	50	3 x 3	240	95	1044
Tandem 4-14-800	4 x 14	4 x 15,5	800	50	4 x 3	240	95	1392



Tandem

Floor-running pit lifts

Ergonomic pit lifts at their purest



Product features

- **1. Durability:** Both the piston rod and the pump piston are hard-chrome plated, for protection against corrosion and wear.
- **2. Fully hydraulic lifting unit:** Thanks to the patented BLITZ corrosion prevention system, during every lifting and lowering movement the cylinder is submerged in oil on either side of the sealing sleeve. This means that both the piston rod and the cylinder are constantly in an oil bath, effectively protecting the cylinder walls against corrosion.
- **3. Precision:** The load stroke by air motor enables the load to be raised with a single action of the foot – without any physical effort.
- **4. Lateral stop motion device:** When the pit is withdrawn, the adjustable lateral stop motion device minimises the risk of a hand getting caught in the mechanism and an injury being caused.
- **5. Smooth running:** The standard needle roller bearings on the carriage with integral lubrication nipples permit effortless sliding of the lift inside the pit.
- **6. Minimum effort:** The load stroke by air motor enables the load to be raised with

- a single action of the foot – without any physical effort.
- **7. Time-saving (I):** The hydro-pneumatic quick lift rapidly moves the piston rod to the lifting point.
- **8. Foot pedal operation:** BLITZ floor-running pit lifts are operated by foot pedals, requiring minimum effort. This leaves the hands free for working on the vehicle.
- **9. Versatility:** Using the scope for lateral adjustment to the full, the floor-level design permits maximum freedom of movement. Personnel can always circulate rapidly, including in exceptional situations.
- **10. Time-saving (II):** The hydro-pneumatic forced return rapidly retracts the piston even when off-load. Unlike conventional pit lifts, the piston is in effect “pulled” back into its rest position.

+ The illustration shows Pit Star 14/14. Note: some of the above features are options available at extra charge.

Pit Star

All you could wish for: equipped with automatic load stroke via air motor, hydro-pneumatic quick lift, hydro-pneumatic forced return as well as hydraulic foot pump for fine stroke and partial load.



Pit Star Mobile

Identical to the Pit Star, but fully mobile with an integral locking brake.



Pit Boy

The economy, non-telescopic version without air motor, with hand hydraulic load stroke.



Pit Boy F

The fully mobile counterpart to the Pit Boy. Also without air motor and with manual hydraulic load stroke.



Model	Capacity acc. to		Stroke	Peg diameter	Dimensions				Weight
	VBG 14	CE			L	B	H		
							min.	max.	
t	t	mm	mm	mm	mm	mm	mm	kg	

Pit lifts, rail-mounted, mobile, Pit Boy series

Plunger version, capacity 6-20 t, stroke 800 mm

GHUSFL 6	6	6,5	800	55	acc. to pit dimensions		1104	1904	228
GHUSFL 10	10	11	800	55	acc. to pit dimensions		1104	1904	240
GHUSFL 14	14	15,5	800	55	acc. to pit dimensions		1104	1904	280
GHUSFL 20	20	22	800	80	acc. to pit dimensions		1156	1956	330

Pit lifts, fully mobile, Pit Boy F series

Plunger version, capacity 10-20 t, stroke 800 mm

GHUSFFL 10	10	11	800	55	1085	845	1104	1904	240
GHUSFFL 14	14	15,5	800	55	1085	845	1104	1904	280
GHUSFFL 20	20	22	800	80	1085	845	1171	1971	330

Pit lifts, rail-mounted, mobile, Pit Star series

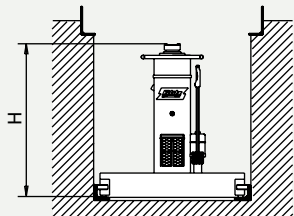
Telescopic version, capacity 4-20 t, stroke 1100 and 1200 mm

GHUSFT 10/4	10/4	11/4,5	1100	35	acc. to pit dimensions		950	2050	352
GHUSFT 14/14	14/14	15,5/15,5	1200	35	acc. to pit dimensions		994	2194	352
GHUSFT 20/14	20/14	22/15,5	1200	55	acc. to pit dimensions		996	2196	362
GHUSFTT 14/14/7	14/14/7	15,5/15,5/7,5	1200	35	acc. to pit dimensions		830	2030	372

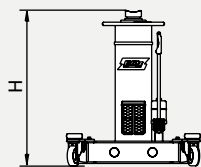
Pit lifts, fully mobile, Pit Star F series/Pit Star Mobile

Telescopic version, capacity 4-20 t, stroke 1100 and 1200 mm

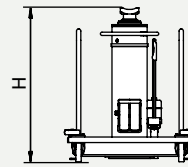
GHUSFFT 10/4	10/4	11/4,5	1100	35	1085	845	965	2065	352
GHUSFFT 14/14	14/14	15,5/15,5	1200	55	1085	845	1009	2209	362
GHUSFFT 20/14	20/14	22/15,5	1200	55	1085	845	1009	2209	372
GHUSFFT 14/14/7	14/14/7	15,5/15,5/7,5	1200	35	1085	845	830	2030	300
Pit Star Mobile 14/14	14/14	15,5/15,5	1200	55	1085	845	1009	2209	362
Pit Star Mobile 14/14/7	14/14/7	15,5/15,5/7,5	1200	35	1085	845	830	2030	300



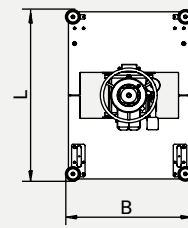
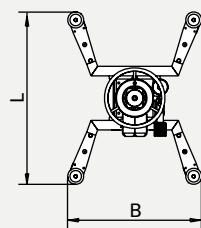
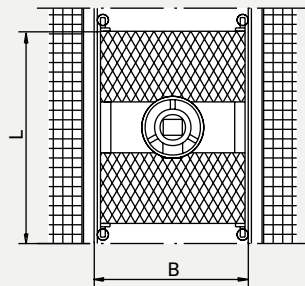
Pit Star/Pit Boy



Pit Star F/Pit Boy F



Pit Star Mobile



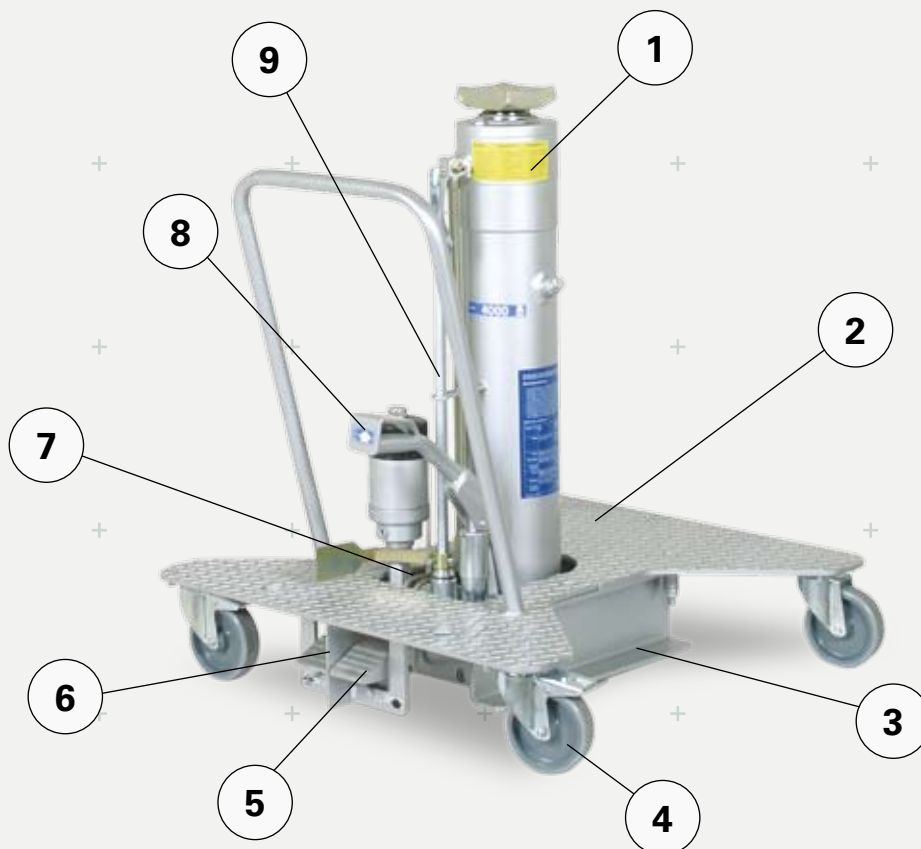
The choice is yours

BLITZ floor-running pit lifts bring you extra flexibility. The rail-mounted lifts offer maximum freedom of movement inside the pit.

Our fully mobile lifts are particularly useful where there are several interconnected pits, e.g. by means of a tunnel. When not in use, these models can easily be moved out of the way into a storage room.

Gearbox lifts

For lifting smaller loads – not just in the pit



Product features

● **1. Fully hydraulic lifting unit:** Thanks to the patented BLITZ corrosion prevention system, during every lifting and lowering movement the cylinder is submerged in oil on either side of the sealing sleeve. This means that both the piston rod and the cylinder are constantly in an oil bath, effectively protecting the cylinder walls against corrosion.

● **2. Ergonomics (I):** The base plate of the carriage is fully passable and can also serve as a standing surface. Integral holes serve as handy tool holding fixture.

● **3. Safety:** The extra-low centre of gravity guarantees the stability of the gearbox lift.

● **4. Smooth running:** The carriage is automatically lowered when handling loads of 0.8 t or more. The integral locking brakes guarantee maximum stability.

● **5. Totally foot operated:** The load stroke by air motor enables the load to be raised at the push of a button – without any physical effort.

● **6. Time-saving (I):** The hydro-pneumatic quick lift rapidly moves the piston rod to the lifting point.

● **7. Time-saving (II):** The hydro-pneumatic forced return rapidly retracts the piston even when off-load. Unlike conventional pit lifts, the piston is in effect “pulled” back into its rest position.

● **8. Precision:** The stepless fine stroke permits the pit lift to be positioned accurately at the vehicle. Important for responsive lifting and installation of assemblies.

● **9. Ergonomics (II):** Lowering can be performed either manually or by foot.

+ The illustration shows Master Jack 4,0. Note: some of the above features are options available at extra charge.

Junior Jack 0.5/2.0 S2

Ideal for removing and installing smaller assemblies. Quick lift by means of a hydraulic foot pump, lowering manually.



Big Jack 6

The heavy-duty gearbox lift from BLITZ. With hydraulic fine, part-load and load stroke, hydro-pneumatic quick lift and hydro-pneumatic forced return.



Master Gear

Electro-hydraulic load stroke, controlled by pushbuttons (up and down), manual hydraulic precision stroke. On the Master Gear 0.5/1.0 the lift stroke is controlled by foot hydraulics. The support plate has an offset adjustment capacity of ± 20 mm on the x and y axes, and an incline capacity of $\pm 2^\circ$ (Master Gear 1.0/2.0 only).



Model	Capacity acc. to		Stroke	Peg diameter	Dimensions				Weight
	VBG 14	CE			L	B	H		
							min.	max.	
t	t	mm	mm	mm	mm	mm	mm	kg	

Gearbox lifts, Junior Jack series

Capacity 0.5-2.0 t, 1100 mm stroke

Junior Jack 0,5 S2	0,5	0,6	1100	35	800	800	800	1900	60
Junior Jack 2,0 S2	2,0	2,2	1100	35	800	800	800	1900	60

Gearbox lifts, Master Jack series

Capacity 2.5-4.0 t, stroke 1100 mm

Master Jack 2,5	2,5	2,8	1100	35	800	885	910	2010	165
Master Jack 4,0	4,0	4,5	1100	35	800	885	910	2010	179

Gearbox lifts, Big Jack series

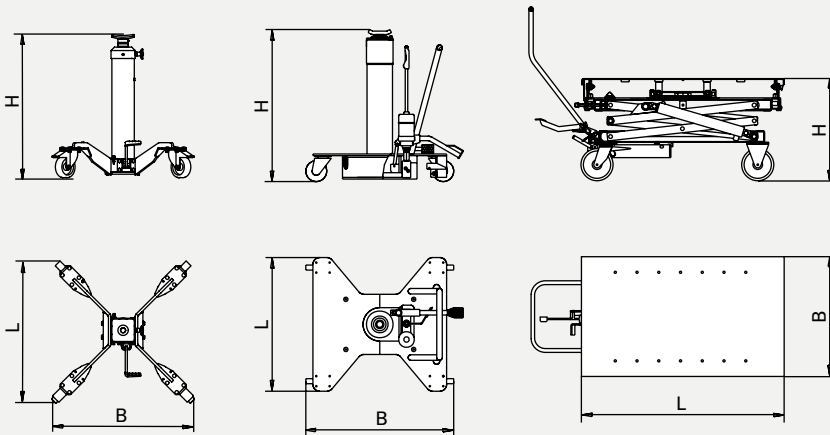
Capacity 6.0 t, stroke 800 mm

Big Jack 6,0	6,0	6,5	800	55	1085	845	1105	1905	220
---------------------	-----	-----	-----	----	------	-----	------	------	-----

Aggregate platform lifts, Master Gear series

Capacity 0.5-2.0 t, stroke 1100-1330 mm

Master Gear 0,5	0,5	-	1290	-	1260	720	510	1800	250
Master Gear 1,0	1,0	-	1330	-	1260	720	635	1965	290
Master Gear 2,0	2,0	-	1100	-	1700	800	730	1730	550



Junior Jack

Master Jack

Master Gear

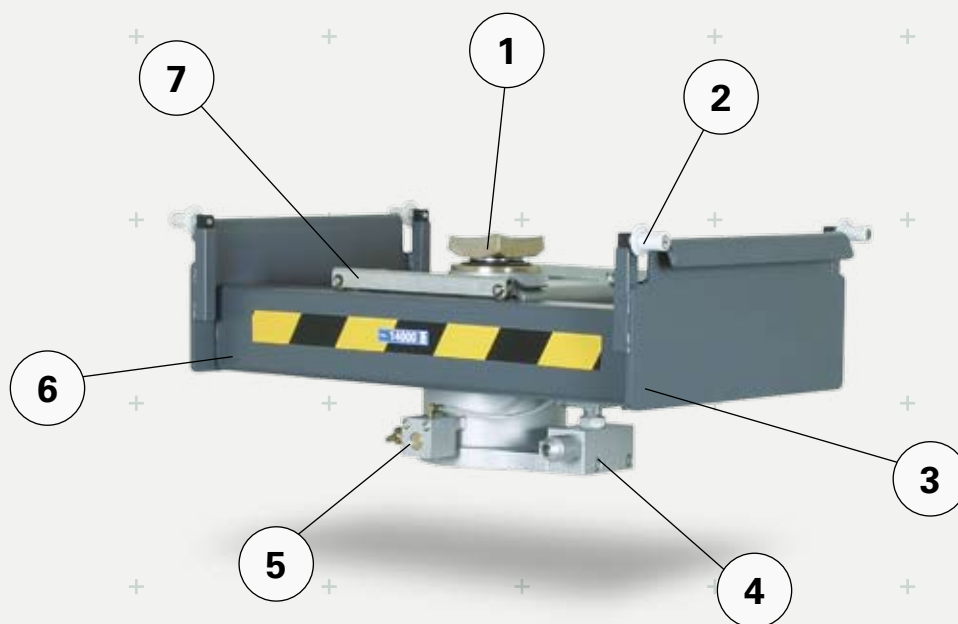
Spot on

BLITZ gearbox lifts are not only for handling engines and gearboxes; they are also the precise, safe way to remove and install complete assemblies.

This is assured by our range of gearbox lifts which covers a wide variety of requirements. Whereas the Junior Jack 0.5 model is specifically designed with cars in mind, the Junior Jack 2.0, Master Jack and Big Jack are also suitable for trucks. Combined with a lifting platform, the unit platform lift series Master Gear is ideally suited for those units, which, due to construction, can only be mounted/removed via the underside of the vehicle.

Jacking beams

The ultimate choice for drive-on platforms



Product features

● **1. Complete:** Two extensions and a middle support are part of the standard kit. They are ready to hand being fitted directly to the lift.
● **2. Smooth running:** The standard needle roller bearings on the carriage rollers permit effortless sliding of the lift inside the pit.
● **3. Time-saving:** The mechanical forced return rapidly retracts the piston even when off-load. Unlike conventional pit lifts, the piston is in effect "pulled" back into its rest position.
● **4. Precision:** The stepless fine-adjustment stroke permits the pit lift to be positioned accurately at the vehicle. Important for responsive lifting and when offering up assemblies.
● **5. Minimum effort:** The load stroke of the pneumatic motor enables the load to be lifted at the push of a button – without any physical effort.
● **6. Durability:** Both the piston rod and the pump

piston are hard-chrome plated, for protection against corrosion and wear.
● **7. Load-depressing safety crossrolley:** The movement facility under load is disabled from a load of approx. 800 kg. A particularly flat design is also achieved.

The illustration shows GHUSKTP 14/14. Note: some of the above features are options available at extra charge.

GWSK 2

The pneumatic plunger-type car lift. Like all BLITZ pneumatic jacking beams, the GWSK 2 has the tried-and-tested two-stage control for fine stroke and quick lift.



GWSKT/A

The telescopic design achieves a much larger stroke, yet at a lower construction height. The stroke extension device supplied with this lift makes it possible to extend the final height of this car lift by a further 100 mm.



XLift

XLift 2 and XLift 2.6 with automatic load stroke controlled by hydraulic-pneumatic air motor, manual hydraulic XLift 2 MP, mechanical safety support, including QuickFit carriage for rapid adaptation to all standard drive-on platforms and pit shapes (XLift 2).



Model	Capacity acc. to VBG 14 CE		Stroke mm	Peg diameter mm	Extension mm	Air pressure bar	Dimensions		Adjustment range b		Weight kg
	t	t					r	s	min. mm	max. mm	

Scissors-type jacking beams, XLift series

Hydraulic, capacity 2-2.6 t, stroke 250 to 300 mm

XLift 2*	2	2,2	300	25	50/100	8	-	220	810	1700	125
XLift 2 MP*	2	2,2	300	25	50/100	-	-	220	810	1700	125
XLift 2,6	2,6	-	250	-	40/85	8	-	180	780	1500	135

Jacking beams, GWSK/GWSKT/GWSKTA series

Pneumatic, capacity 2-4 t, stroke 170 to 320 mm

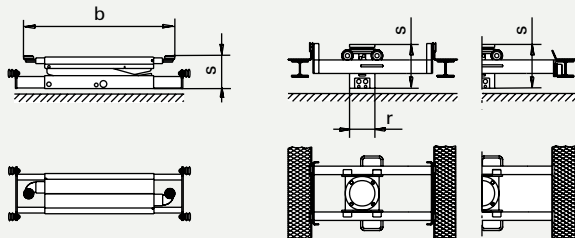
GWSK 2	2	2,2	170	45	100	13	150	280	-	-	50
GWSKT 2/1,5	2/1,5	2,2/1,7	290	45	100	13	150	270	-	-	56
GWSKT 3/2,5	3/2,5	3,3/2,8	320	45	100	10	210	300	-	-	90
GWSKT 4/3,5	4/3,5	4,5/3,9	320	45	100	13	210	305	-	-	75
GWSKTA 2/1,5	2/1,5	2,2/1,7	185	45	100	7	210	220	-	-	95
GWSKTA 3/2,5	3/2,5	3,3/2,8	240	45	100	10	210	250	-	-	95

Jacking beams, GHUSKTP series

Hydraulic, capacity 4-14 t, stroke 230 to 330 mm

GHUSKTP 4/4	4/4	4,5/4,5	330	35	150	6	200	330	-	-	62
GHUSKTP 6/6	6/6	6,5/6,5	330	35	150	6	200	330	-	-	60
GHUSKTP 10/7	10/7	11/7,7	330	35	100	8	200	330	-	-	64
GHUSKTP 10/10	10/10	11/11	330	55	100	8	250	360	-	-	75
GHUSKTP 12/12	12/12	13,2/13,2	330	55	100	10	250	360	-	-	75
GHUSKTP 14/14	14/14	15,5/15,5	330	55	100	10	250	360	-	-	75

* Roller-Set inclusive of your choice



XLift

GWSK/GWSKT/GWSKTA/GHUSKTP

Compact and effective

BLITZ jacking beams all have one thing in common: they all have compact designs with an impressive stroke and capacity.

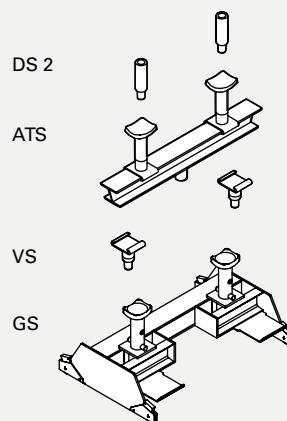
The module base is an essential constructional element. The result: all conventional drive-on platforms and pit profiles can be adapted. This applies to original equipment manufacture (OEM).

Supporting packages

The perfect link

The range of applications of a pit lift depends critically on the use of the right load carrying devices. This is why BLITZ works in close cooperation with vehicle manufacturers. As soon as a new generation of vehicle is completed, BLITZ develops the load carrying devices for it. So as soon as it goes on sale, you have access to the right equipment. Suggestion: for safety reasons, separate supports should always be placed under lifted vehicles. This affords greater working safety and the lift can meanwhile be used elsewhere.

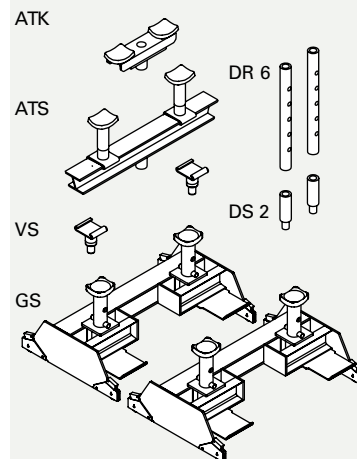
BLITZ supporting packages have been carefully composed, to cover the exact requirements of each working context. The decision-making chart on the right gives you an initial impression of the range. You can of course add further load carrying devices at any time – choose from the widest range of such equipment on the market.



Supporting package I

The minimum outfit for a working pit, comprising:

- 1 supporting bridge GS
- 1 axle traverse ATS
- 2 spacers DS 2
- 1 connecting set VS

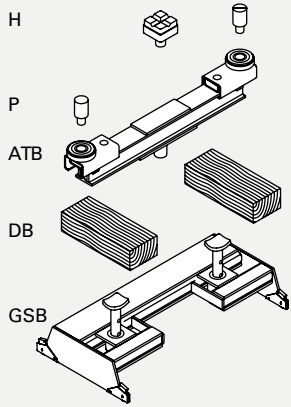


Supporting package II

The basic equipment for truck workshops with universal vehicle passage, comprising:

- 2 supporting bridges GS
- 1 axle traverse ATS
- 1 axle traverse ATK
- 2 spacers DS 2
- 1 connecting set VS
- 2 spacing tubes DR 6

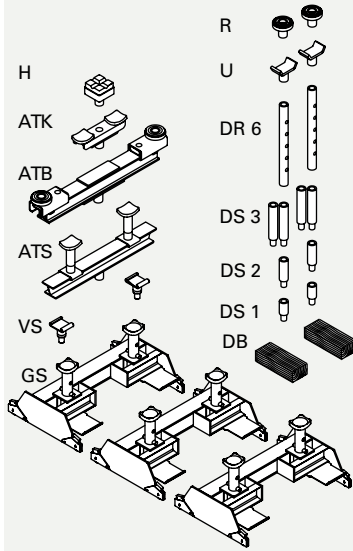
Capacity VBG 14/CE	4-10 t 4,5-11 t	14 t 15,5 t	16-20 t 17,5-22 t	30 t 33 t	4-10 t 4,5-11 t	14 t 15,5 t	16-20 t 17,5-22 t	30 t 33 t
Trucks								
Trucks, low-profile tyres								
Buses								
Buses, low-level								
Municipal vehicles								
Fire service								
Unimogs								
Mobile cranes								
Car transporters, low loaders								
Military vehicles								
Construction machinery, wheeled loaders								
Special-purpose vehicles								



Supporting package III

For bus and public transport workshops (low-level buses), comprising:

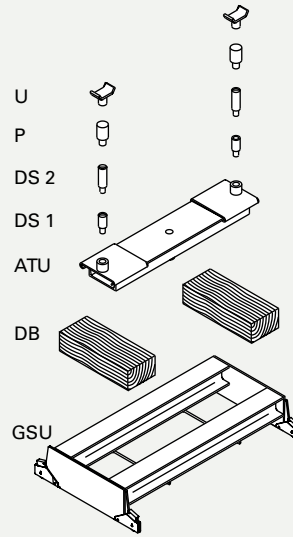
- 1 supporting bridge GSB
- 1 axle traverse ATB
- 2 mushroom shaped supports P
- 2 wooden blocks DB
- 1 carrying plate H



Supporting package IV

For repair shops handling all types of vehicle, primarily trucks, Unimogs, construction and special-purpose vehicle, comprising:

- 3 supporting bridges GS
- 1 axle traverse ATK
- 1 axle traverse ATS
- 1 axle traverse ATB
- 2 wooden blocks DB
- 2 carrying plates U, 2 c. plates R
- 1 carrying plate H
- 2 spacing tubes DR 6
- 2 spacers DS 1
- 2 spacers DS 2
- 4 spacers DS 3

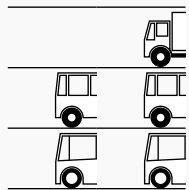


Supporting package V

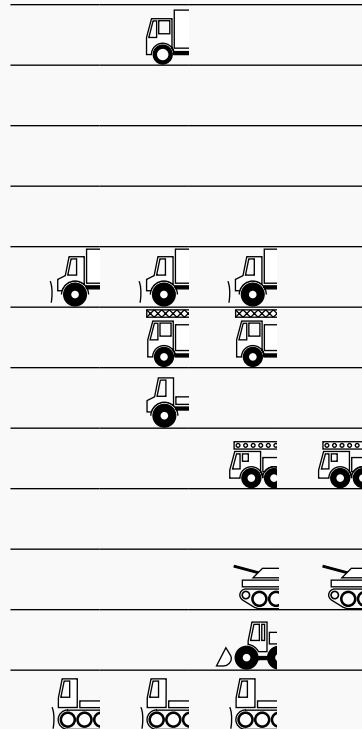
The universal set of supports for bus and truck workshops, comprising:

- 1 supporting bridge GSU
- 1 axle traverse ATU
- 2 wooden blocks DB
- 2 spacers DS 1
- 2 spacers DS 2
- 2 mushroom shaped supports P
- 2 carrying plates U

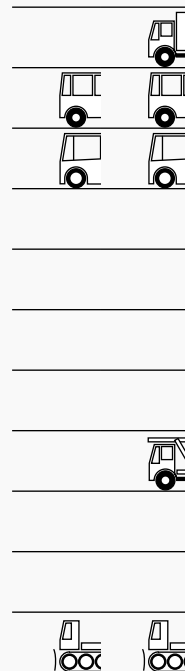
4-10 t/ 14 t/
4,5-11 t 15,5 t



4-10 t/ 14 t/ 16-20 t/ 30 t/
4,5-11 t 15,5 t 17,5-22 t 33 t



4-10 t/ 14 t/
4,5-11 t 15,5 t



Accessories & load carrying devices

For enhanced performance

GA I

Adaptation to the shape of the gearbox is via four adjusting screws.
Capacity acc. to VBG 14/CE: 1 t/1.1 t

GA II

The aggregate can easily avoid obstructions thanks to an all-round adjustment angle of $\pm 15^\circ$ via screws. Tensioning straps are used to secure the load.
Capacity acc. to VBG 14/CE: 1 t/1.1 t

GA III

One-man operation and an adjustment angle of $\pm 40^\circ / \pm 17^\circ$ are the appeal of this gearbox support. Two tensioning straps are available for securing the load.
Capacity acc. to VBG 14/CE: 1 t/1.1 t

GA IV

The extra-flat version, with large-area rubber support surfaces and two tensioning straps, is particularly versatile. The adjustment angle is $\pm 12^\circ$.
Capacity acc. to VBG 14/CE: 1 t/1.1 t

Prism blocks for GA IV

Ideal for special tasks, e.g. for removing and fitting the propeller shaft.

AW

BLITZ truck gearbox supports I-III can be positioned on the support trolley AW and removed from the pit via 2 transfer rails.
Capacity acc. to VBG 14/CE: 1 t/1.1 t

HV

The front-axle holding device HV is for fitting and removing rigid front axles, e.g. on light commercial vehicles.
Capacity acc. to VBG 14/CE: 0.2 t/0.25 t

BHV

The leaf spring assembly device BHV is ideal for fitting and removing heavy leaf springs.
Capacity acc. to VBG 14/CE: 0.2 t/0.25 t

X

The carrying plate X is standard on all pit lifts from 4 t upwards.
Capacity acc. to VBG 14/CE: 4-30 t/4.5-33 t

R

With its rubber surface, carrying plate R is particularly suitable for use with cars.
Capacity acc. to VBG 14/CE: 4-15 t/4.5-15.5 t

U

Four different widths in total, for a flexible range of uses.
Capacity acc. to VBG 14/CE: 4-15 t/4.5-15.5 t

H

The hardwood insert on carrying plate H allows heavy loads to be raised gently.
Capacity acc. to VBG 14/CE: 4-20 t/4.5-22 t

P

Special support for buses (on frame) (mushroom shaped support).
Capacity acc. to VBG 14/CE: 4-15 t/4.5-15.5 t

P MAN

Special support for MAN trucks at the rear axle (mushroom shaped support).
Capacity acc. to VBG 14/CE: 15 t/15.5 t

SV

Extension ram for level equalisation between pit lift and load. *Not for use in conjunction with traverses.*
Capacity acc. to VBG 14/CE: 4-30 t/4.5-33 t

DR

Spacing tubes for equalising large differences in height between supporting bridges and the load. With drop protection as standard.
Capacity acc. to VBG 14/CE: 4-30 t/4.5-33 t

DS

Spacers for level equalisation between supporting bridges/traverses and load.
Capacity acc. to VBG 14/CE: 4-30 t/4.5-33 t

ATK

Axle traverse for supporting very heavy vehicles in safety. The short version ensures that the load is distributed largely centrally.
Capacity acc. to VBG 14/CE: 4-30 t/4.5-33 t

ATS

Both the width and the height of the carrying plate of the standard truck traverse ATS can be adjusted by the spacers at any load carrying plate.
Capacity acc. to VBG 14/CE: 4-30 t/4.5-33 t

ATB

The very flat traverse has a large lateral adjustment range of the carrying plates. Load carrying points lying outside the pit can thus be reached. Particularly suitable for buses.
Capacity acc. to VBG 14/CE: 4-15 t/4.5-15.5 t

ATB truck set

Accessories for supporting trucks.
Capacity acc. to VBG 14/CE: 4-15 t/4.5-15.5 t

ATB MANTGA-Set

Accessories for supporting MAN trucks at the axles.
Capacity acc. to VBG 14/CE: 15 t/15.5 t

ATB N

Special traverse for mounting Neoplan buses safely.
Capacity acc. to VBG 14/CE: 4-10 t/4.5-11 t

ATB NF

The design of ATB NV takes account of the special requirements for supporting low-level buses.
Capacity acc. to VBG 14/CE: 4-10 t/4.5-11 t

ATEB

Special traverse for supporting Evo Bus busses safely.
Capacity acc. to VBG 14/CE: 4-10 t/4.5-11 t

ATU

The extremely wide adjustment range of 120 to 980 mm and the flat design guarantee a universal working range.
Capacity acc. to VBG 14/CE: 4-15 t/4.5-15.5 t

VS

For positioning a traverse (on which the vehicle is raised) safely on the supporting bridge.
Capacity acc. to VBG 14/CE: 4-20 t/4.5-22 t

DB

Wooden blocks for lowering the traverse onto the supporting bridge.
Capacity acc. to VBG 14/CE: 4-15 t/4.5-15.5 t

G

Compact, low-weight supporting bridge.
Capacity acc. to VBG 14/CE: 4-30 t/4.5-33 t

GS

Universal supporting bridge for topple protection. Pit lift can be used elsewhere.
Capacity acc. to VBG 14/CE: 4-30 t/4.5-33 t

GSB

Extra-flat supporting bridge that also fits under low-level buses.
Capacity acc. to VBG 14/CE: 4-15 t/4.5-15.5 t

GSB Vario

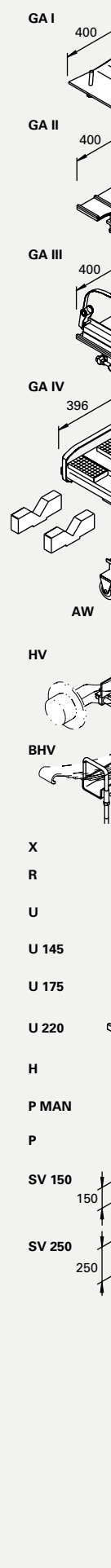
Super slim and extremely easy-to-position support bridge, accessible by low-platform busses, with 2 sliders, 2 x DR4 spacer tubes, 2 x X support plates, accessible by low-platform busses, with flange rollers and sliding axes (adjustment range max. 90 mm in total), manufactured to pit dimension.
Capacity acc. to VBG 14/CE: 4 - 5 t / 4.5 - 15.5 t

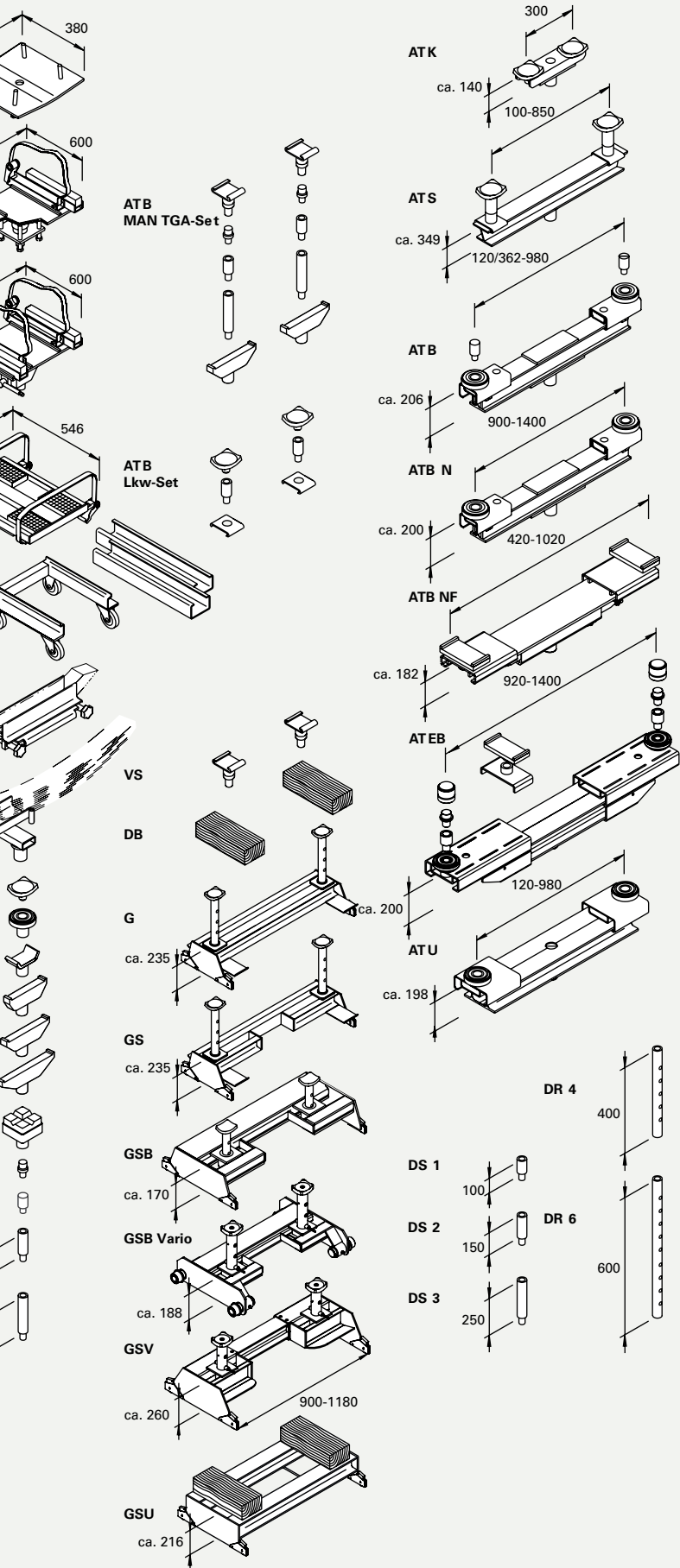
GSV

Adjustable support bridge, pit lift can be re-used, with 2 sliders, 2 x DR4 distance tubes, 2 x X support plates, as well as traverses and tool tray.
Capacity acc. to VBG 14/CE: 4-15 t / 4.5 - 15.5 t.

GSU

Wide supporting bridge for setting down the rear axle of buses.
Capacity acc. to VBG 14/CE: 4-15 t/4.5-15.5 t





Load carrying devices for trucks

GA car

The right BLITZ gearbox plate for cars. With large-area rubber support surface and strong tensioning strap. Capacity acc. to VBG 14/CE: 0.4 t/0.45 t

ATH

Extendable, incl. carrying plates with rubber pads and 2 spacers DS 1. Capacity acc. to VBG 14/CE: 1.5 t/1.6 t

ATXS 2/ATXSG 2

Safe 2-point support of vehicles with supporting points up to 1500 mm. Capacity acc. to VBG 14/CE: 2 t/2.2 t

ATT 3.2

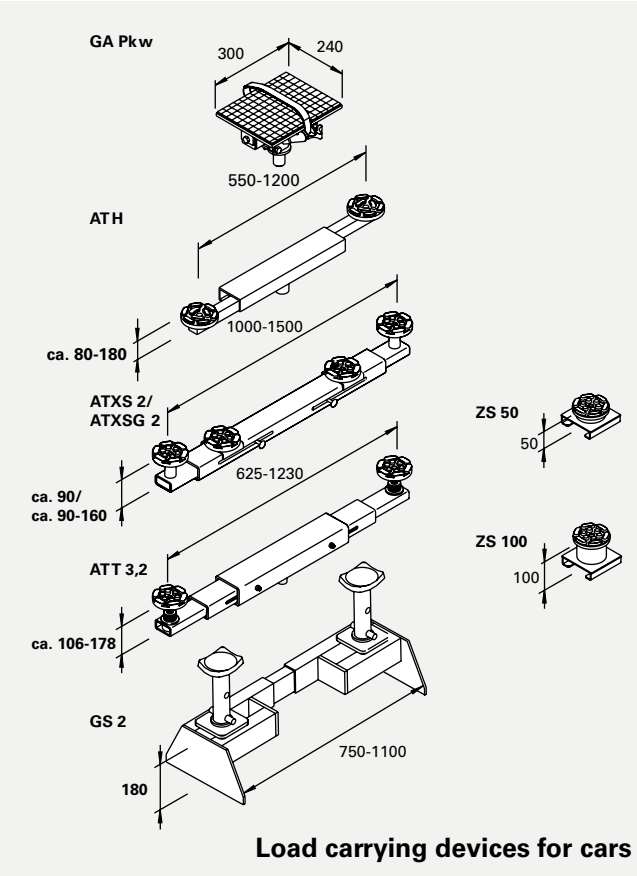
Extra-narrow axle traverse, 2 telescopic sections. Capacity acc. to VBG 14/CE: 3.2 t/3.5 t

ZS 50/ZS 100

Intermediate sections for high vehicle supporting points. Suitable for all BLITZ car traverses. Capacity acc. to VBG 14/CE: 1.5 t/1.7 t

GS 2

The open design allows the lift to be lowered and lifted rapidly with the load carrying devices in position. The variable adjustment range of the support bar means that it can be used on virtually any pit. Capacity acc. to VBG 14/CE: 2 t/2.2 t



Load carrying devices for cars



GA IV



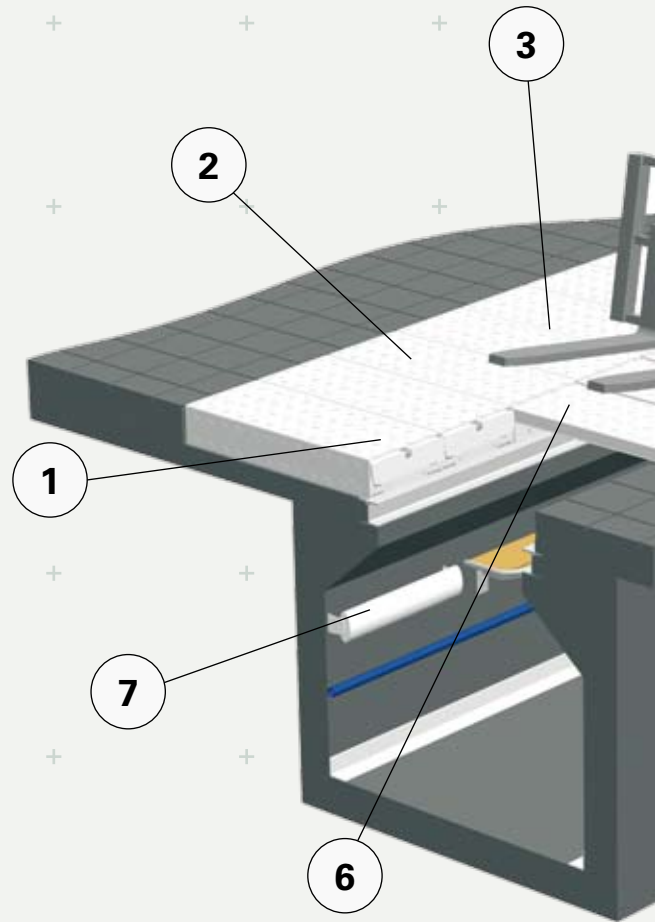
GA III

Pit covering

Patented multi-segment design

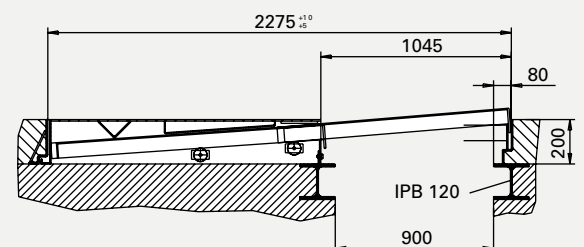
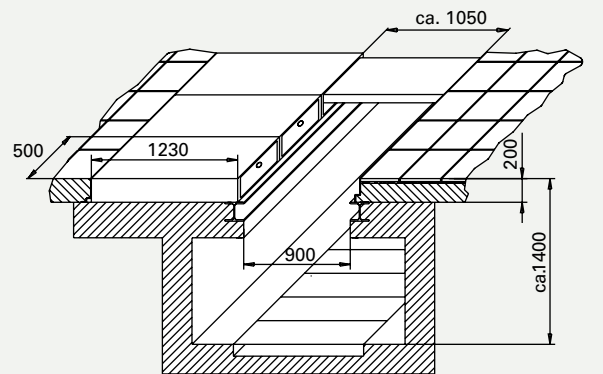
It's often the simple, uncomplicated things in life that make matters easier.

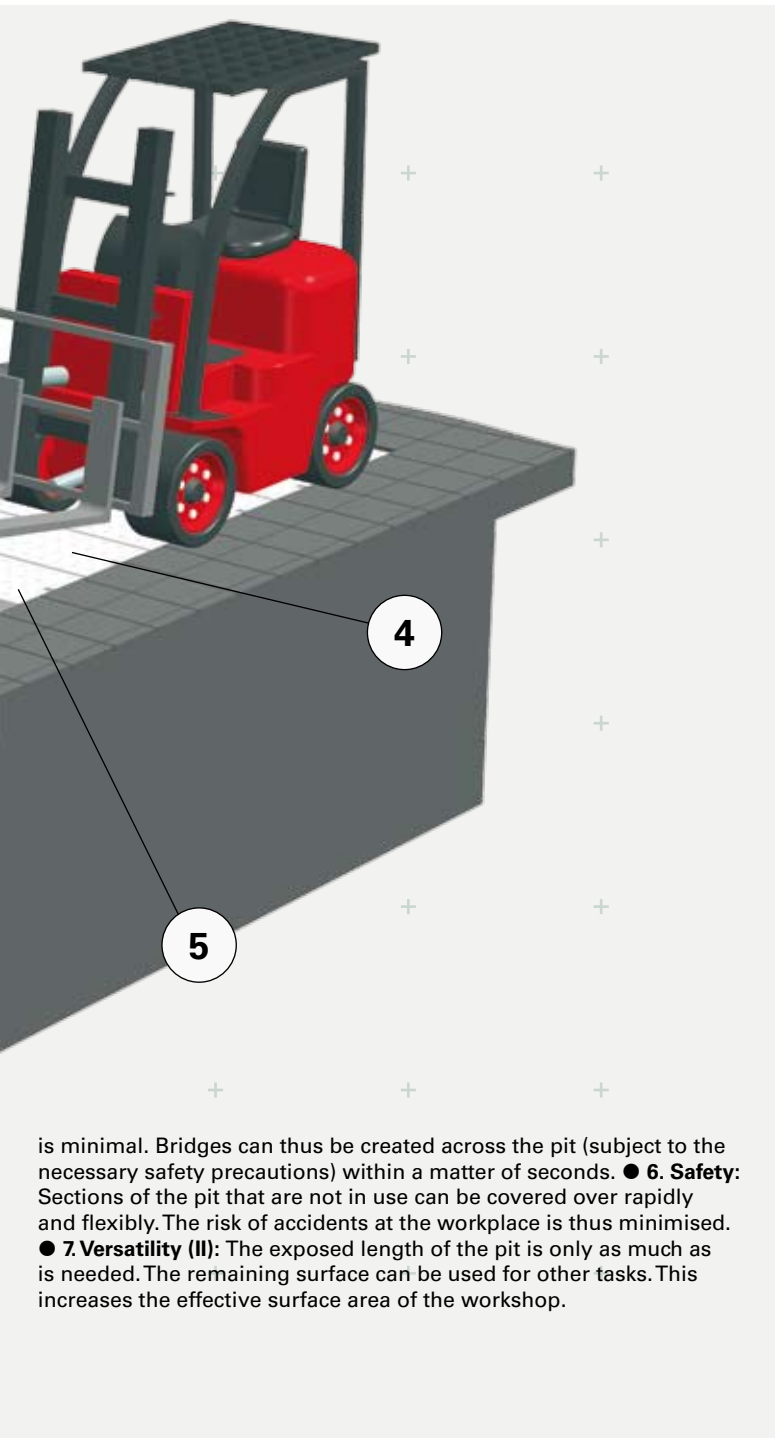
The patented BLITZ segment pit covering is one such thing. It literally turns the conventional approach to pit tasks on its head: as of now, only those sections of the pit that are genuinely needed are opened up. Individual roller-mounted pull-out elements make this possible. Several tasks can now be performed simultaneously on the vehicle – or, if you so wish, a task on more than one vehicle.



Product features

- **1. Full drive-across property:** The extra-high capacity permits full drive-across properties (floor elements up to 10 t wheel load, pull-out elements up to 5 t wheel load).
- **2. Versatility (I):** Each individual sliding cover can easily be used for other tasks, e.g. as a surface to support in conjunction with trestles.
- **3. Time saving:** Now you can perform work in front of, beneath and behind the vehicle simultaneously, and use the side access steps as well. No problem if you use the segment pit covering from BLITZ.
- **4. Optimal vehicle access:** As the covering elements can be extended wherever needed, maximum access to the vehicle is obtained.
- **5. Easier working:** The effort required for pulling out the roller-mounted covering elements





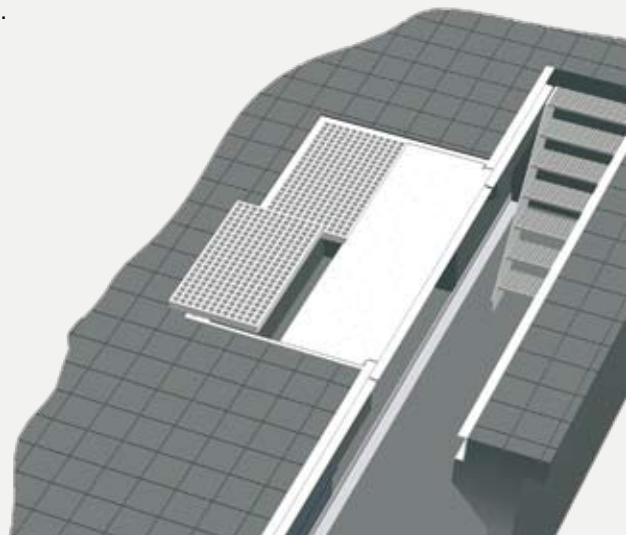
is minimal. Bridges can thus be created across the pit (subject to the necessary safety precautions) within a matter of seconds. ● **6. Safety:** Sections of the pit that are not in use can be covered over rapidly and flexibly. The risk of accidents at the workplace is thus minimised. ● **7. Versatility (II):** The exposed length of the pit is only as much as is needed. The remaining surface can be used for other tasks. This increases the effective surface area of the workshop.

BusStop pit extension Simply Brilliant

The new BusStop pit extension makes it possible to bring the productivity of an in-ground truck lift into the pit. Maintenance work to external components and units on low-platform commercial vehicles are literally child's play. Fuel tanks on low-liners can also be dismantled easily. When you are redesigning your facilities, it's important to consider including the BusStop pit extension.

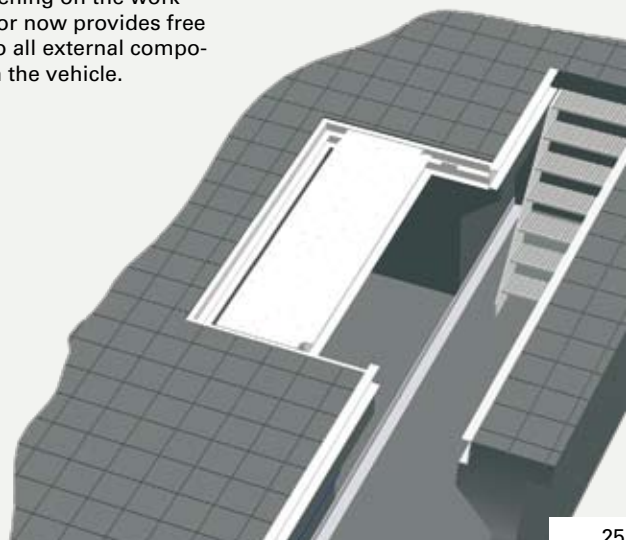
Step 1

First remove the two gratings from the workshop floor. The cleared area can now be used for shifting the platform.



Step 2

In the second stage, the adjustable platform is brought to its parking position. The extra opening on the workshop floor now provides free access to all external components on the vehicle.



Welcome to the world of lifting – with BLITZ

There are many different factors in the organisation of the work processes that involve the use of a pit. One of the most important is the choice of the suitable lifting equipment.

The comprehensive range of BLITZ lifts makes your decision an easy one. There are tailormade concepts for virtually every application.

In developing these concepts, we did more than simply design elements that were functional. We focused on the aspects of ergonomics and safety. Yet another reason why BLITZ lifts are approved by all leading truck manufacturers.

