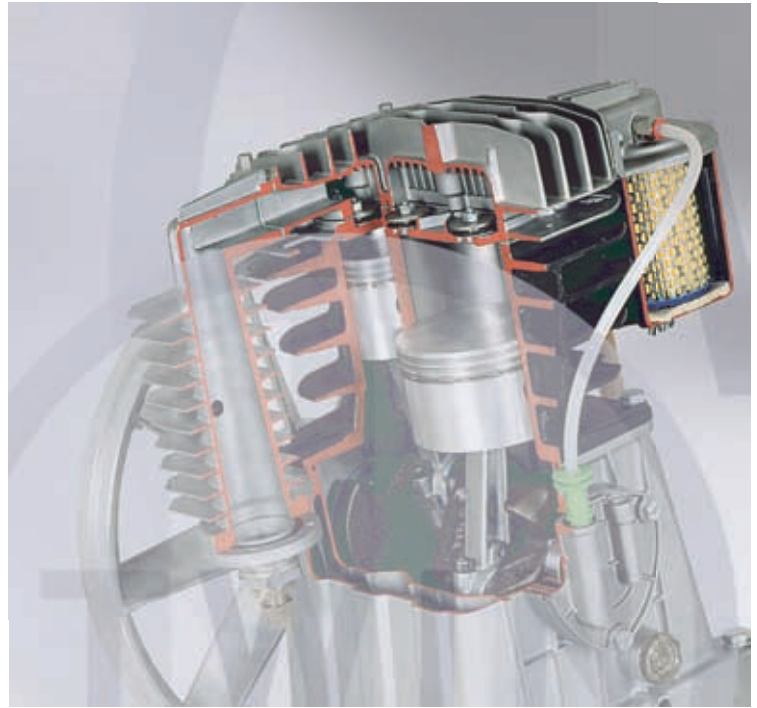


Piston Compressors TWIN Series



Blitz[®]

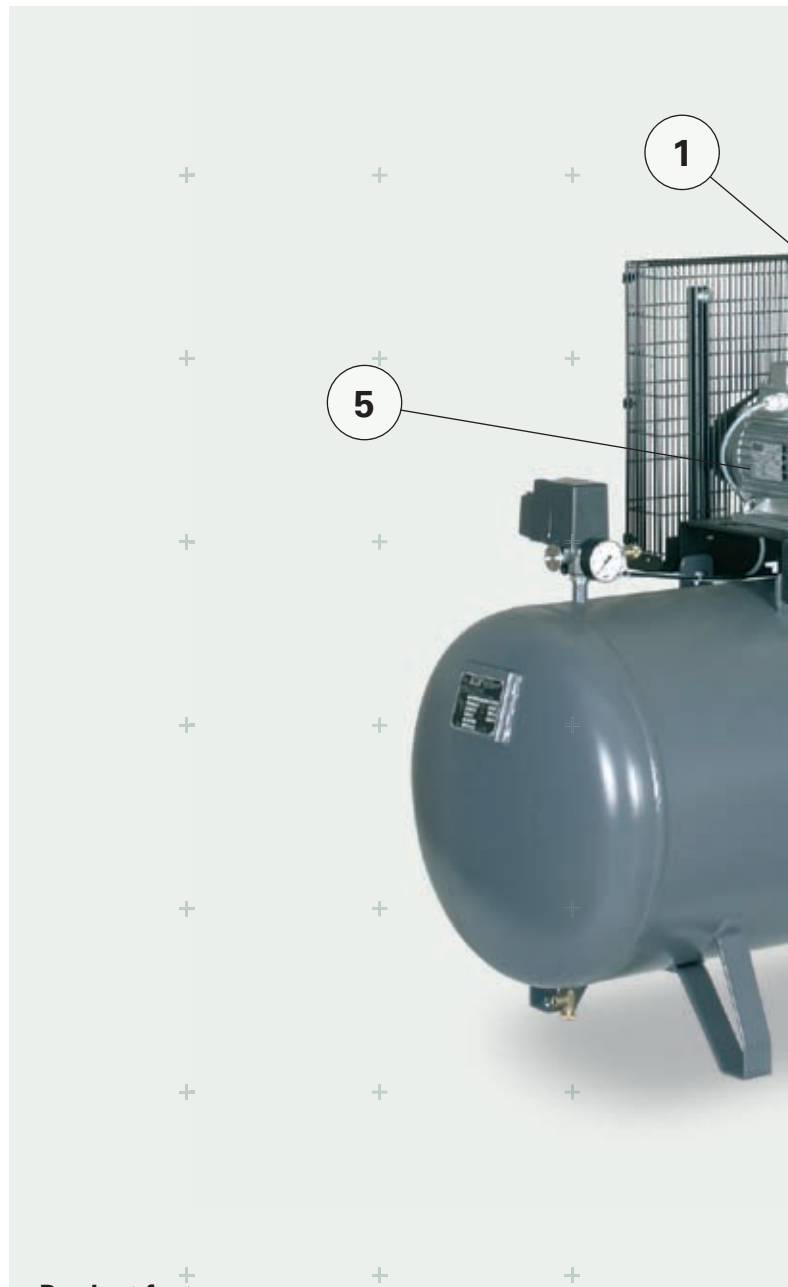
Suction Capacity: 160-1000 l/min
Maximum Pressure: 7-15 bar
Motor Power: 1,1-7,5 kW



Details that Prove a Point Main Features of TWIN Piston Compressors

TWIN piston compressors from BLITZ offer power capacity and heavy duty performance at an attractive price. For all compressed air users with high demands and daily application needs.

Trade compressors of the TWIN series are available as oil-lubricated or oil-free models, each either stationary or mobile. The TWIN Airstation offers a totally economical solution comprising of compressor, refrigerated air dryer, oil water separator and automatic condensate drain.

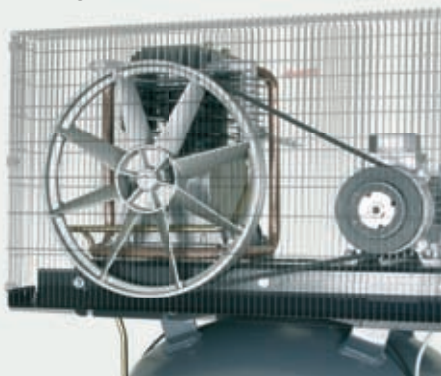


Product features

- **1. Air aftercooler:** For all TWIN piston compressors efficient after-coolers and intermediate-coolers ensure low air outlet temperatures. This strongly reduces the need for further air processing.
- **2. 2 Stage design:** Almost all the TWIN piston compressors are manufactured with the special 2-stage design. Low thermal and mechanical load leads to much higher efficiency and ca. 25% energy conservation.
- **3. Galvanised air receiver (option):** Would you like to increase the durability and thus the value of your compressor? With galvanisation of the air receiver available as an option this is possible.
- **4. Air receiver with handhole:** (for air receivers with contents of 250 l or more). The service-friendly design of the TWIN

Low compressor speed

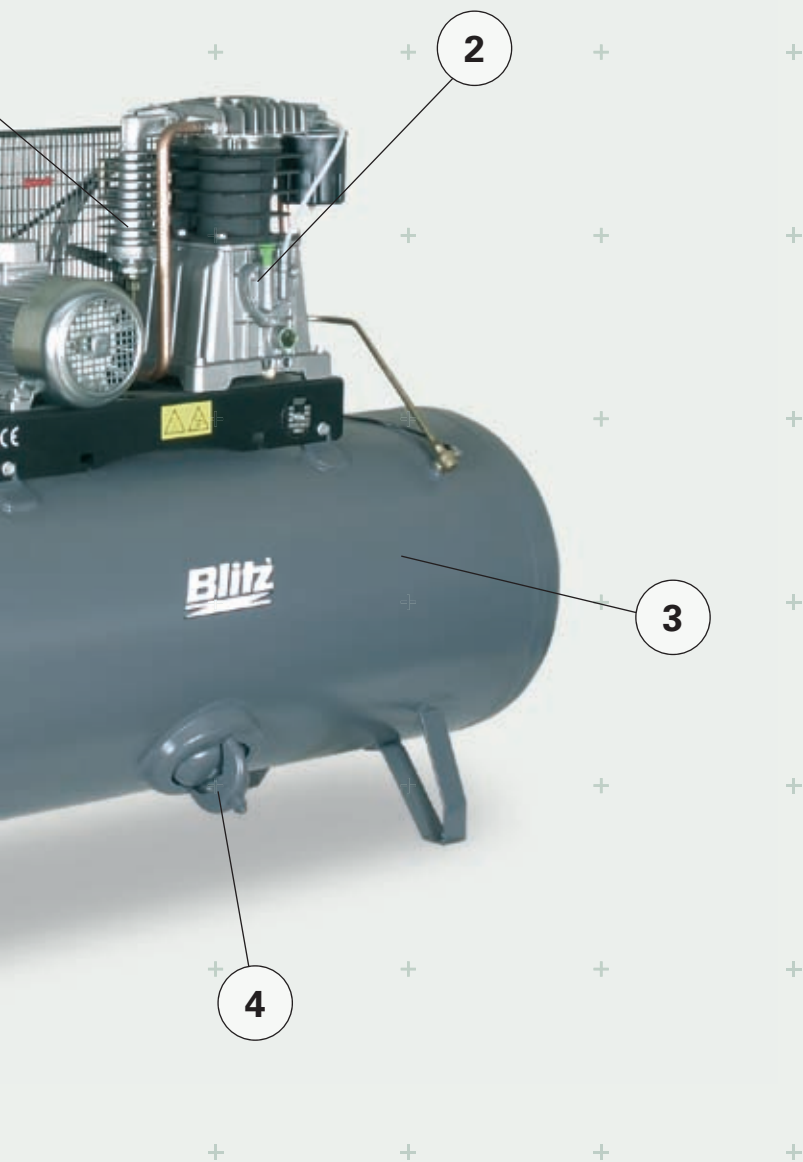
TWIN piston compressors: that means large working volume with low compressor speed (in average only 895 rpm for V-belt driven compressors). A guarantor for long lifetime, low wear, quiet-running and high efficiency.



As option up to 4 kW:

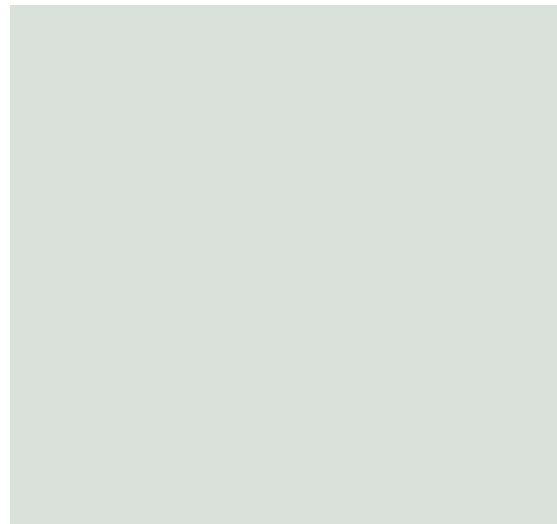
Star delta switch, completely wired (for all compressors with air receivers). The star delta switch is mounted and controlled in the manufacturer's factory, therefore, saving the usual costs involved for mounting on site. A big advantage over loosely enclosed „control kits“.





air receiver with integrated handhole minimises the time and effort involved in repeated TÜV tests and makes the air receiver easier to clean. ● **5. Electric motors from reputable manufacturers:** TWIN piston compressors are produced to a level of high quality. This includes the application of IP 54 tested electric motors with ISO F-winding. Naturally attention is paid to the sufficient dimensioning – with power + reserve just in case.

Some of the above features are options available at extra charge.



Interior view

Cross-section of a TWIN compressor „heart“



Maintenance-free segment valves

The multi-purpose valve plates for 2-stage compression prove themselves by their long-life and energy-saving efficiency.



TWIN Piston Compressors, Stationary On vertical and horizontal air receivers

In order to meet all installation requirements stationary TWIN piston compressors are equipped with either horizontal, vertical or separate air receivers. Compressors with vertical air receivers are the ideal solution for small rooms and workshops. For areas particularly sensitive to sound there are models available with noise covers.

BKE/BKZ

Compact, on horizontal air receiver with max. pressure 10 or 15 bar..



BKE/BKZ with noise cover

The obvious completion for effective noise reduction.



BKES/BKZS

Space-saving, on vertical air receiver.



BKES/BKZS with noise cover

The obvious completion for effective noise reduction.



Model	Cont. of air receivers l	Suction capacity l/min	Free air delivery* l/min	No. of cylinders	Motor power kW	Compr.- speed U/min	Without noise cover Measurements			Sound level db(A)	Weight kg	With noise cover Measurements			Sound level db(A)	Weight kg
							L	B	H			L	B	H		
							mm	mm	mm			mm	mm	mm		

Compressors on horizontal air receiver, BKE series

2-stage, max. pressure 10 bar

BKE 240/50**	50***	240	170	2	1,5	1320	1020	380	710	77	45					
BKE 405/90	90***	400	310	2	2,2	965	1300	400	820	77	98	1300	650	1100	70	148
BKE 501/250	250	500	400	2	3,0	760	1650	500	950	77	195	1750	650	1350	69	255
BKE 701/250	250	700	565	2	4,0	990	1650	500	1060	79	210	1750	750	1350	72	270
BKE 950/500	500	950	740	2	5,5	950	2150	650	1300	79	299	2150	790	1550	73	358

Compressors on horizontal air receiver, BKZ series

2-stage, max. pressure 15 bar

BKZ 330/50	50	300	240	2	2,2	750	1300	400	820	78	98	1300	650	1100	70	148
BKZ 440/250	250	420	330	2	3,3	990	1650	500	1060	77	210	1750	650	1350	69	255
BKZ 561/250	250	560	480	2	4,0	860	1650	500	1060	79	235	1750	750	1350	72	295
BKZ 701/500	500	700	550	2	5,5	990	2150	650	1250	81	292	2150	790	1550	74	350
BKZ 1000/500****	500	1000	760	2	7,5	1000	2150	660	1300	82	335	2150	790	1550	75	394

Compressors on vertical air receiver, BKES series

2-stage, max. pressure 10 bar

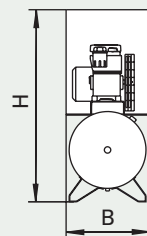
BKES 405/250	250	400	310	2	2,2	965	800	600	1900	77	180	900	650	2050	69	230
BKES 501/250	250	500	400	2	3,0	760	800	600	1950	77	195	1100	650	2200	68	245
BKES 701/250	250	700	565	2	4,0	990	800	600	1950	79	230	1100	750	2200	72	285
BKES 950/500	500	950	740	2	5,5	950	1350	700	2400	79	370	1100	750	2500	73	425

Compressors on vertical air receiver, BKZS series

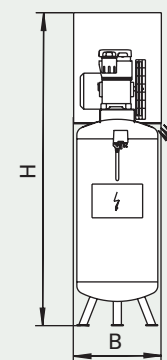
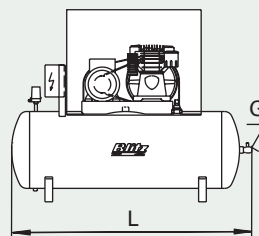
2-stage, max. pressure 15 bar

BKZS 330/250	250	300	240	2	2,2	750	800	600	1900	78	190	900	650	2000	70	240
BKZS 440/250	250	420	330	2	3,0	990	800	600	1900	77	205	900	650	2100	69	260
BKZS 561/250	250	560	480	2	4,0	860	800	600	1900	79	245	1100	650	2100	72	305
BKZS 701/500	500	700	550	2	5,5	990	1100	700	2300	81	367	1100	750	2450	74	420
BKZS 1000/500****	500	1000	760	2	7,5	1000	1350	700	2400	80	373	1100	750	2500	74	428

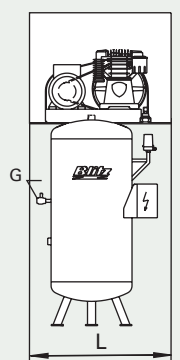
- * according to VDMA 4362
- ** single stage execution
- *** andere Druckbehältergrößen auf Anfrage
- **** max. operating pressure 12 bar



BKE/ BKZ



BKES/ BKZS



TWIN-Airstation The Economically Complete Solution

Based on our TWIN piston compressors the TWIN Airstation distinguishes itself above all by a complete scope of delivery. In addition to the refrigerated air dryer, oil-water separator, automatic condensate drain etc., all components for a compressed air supply are completely tubed and ready for connection.

Airstation

State-of-the-art technology right from the beginning, with integrated refrigerated air dryer, oil-water separator and automatic condensate drain.



Airstation S

The vertical alternative – which takes up less space with the same components.



Product features

● **1. Öwamat:** The clean and safe oil-water separator for active environmental protection. ● **2. Refrigerated Air Dryer:** Dries and prevents operation malfunctions, which arise due to corrosion damages. ● **3. Vibration-Dampening Base Frame:** For installation without foundations, easily transportable by four-wheel lifting truck. ● **4. Condensate Drain:** Electronic, level-controlled condensate drain.

Model	Cont. of air receiver l	Suction capacity l/min	Free air delivery* l/min	No. of cylinder	Motor power kW	Compr. speed rpm	Without noise cover Measurements			Sound level db(A)	Weight kg	With noise cover Measurements			Sound level db(A)	Weight kg
							L	B	H			L	B	H		
							mm	mm	mm			mm	mm	mm		

Airstation on horizontal air receiver

2-stage, pressure 15 bar

Airstation 501/350	350	500	400	2	4,0	860	1850	560	1325	79	315	1850	700	1680	72	375
Airstation 721/500	500	700	565	2	5,5	990	2150	650	1460	78	405	2150	800	1720	74	465
Airstation 950/500	500	950	740	2	7,0	1000	2150	650	1460	82	430	2150	800	1720	75	490

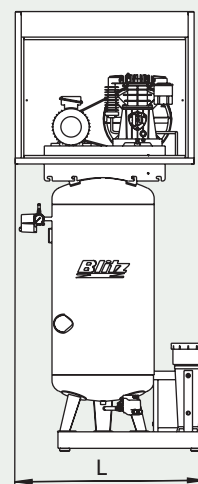
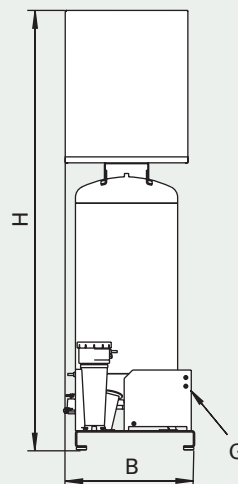
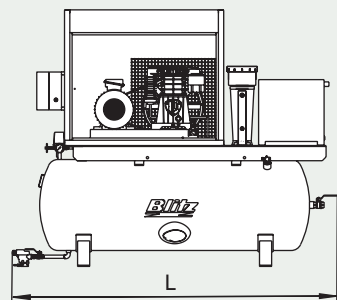
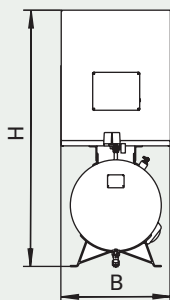
Airstation on vertical air receiver

2-stage, pressure 15 bar

Airstation 561/350	350	560	480	2	4,0	860	1850	560	1325	79	315	1850	700	1680	72	375
Airstation 701/500	500	700	550	2	5,5	990	2150	650	1460	78	405	2150	800	1720	74	465
Airstation S 1000/500**500	500	1000	760	2	7,0	1000	2150	650	1460	82	430	2150	800	1720	75	490

* according to VDMA 4362

** max. pressure 12 bar



Airstation horizontal

Airstation vertical

TWIN Piston Compressors, Stationary On base-plate

Model	Suction capacity l/min	Free air delivery* l/min	No. of cylinders	Motor power kW	Compr. speed U/min	Without noise cover Measurements			Sound level db(A)	Weight kg	With noise cover Measurements			Sound level db(A)	Weight kg
						L B H					L B H				
						mm	mm	mm			mm	mm	mm		

Compressor aggregates with motor on a base-plate, GKE series

2-stage, pressure 10 bar

GKE 405	400	310	2	2,2	965	800	430	600	78	62	850	580	780	70	108
GKE 501	500	400	2	3,0	760	800	480	600	77	70	1050	750	910	69	120
GKE 701	700	565	2	4,0	990	800	480	600	79	90	1050	750	910	71	140
GKE 950	950	740	2	5,5	990	1700	630	700	79	145	1050	750	910	73	195

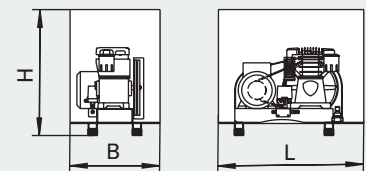
Compressor aggregates with motor on a base-plate, GKZ series

2-stage, pressure 15 bar

GKZ 300	300	240	2	2,2	750	800	430	600	78	62	850	580	780	68	112
GKZ 440	420	330	2	3,0	990	800	430	600	77	102	850	580	780	67	160
GKZ 560	560	480	2	4,0	860	800	480	600	79	108	1050	750	910	69	170
GKZ 701	700	550	2	5,5	990	800	530	600	81	140	1050	750	910	74	200
GKZ 1000**	1000	760	2	7,5	1000	1700	630	700	80	148	1050	750	910	74	210

* according to VDMA 4362

** max pressure 12 bar



GKE/ GKZ

GKE/GKZ

For the modular construction with separate air receiver to expand existing units.



Compressed Air Where You Need It

Especially for the workshop and building site – but also for other places where there is a need for a large amount of air delivery. Various executions with electric or petrol motors create a range of application which is almost boundless. The proven 2-stage execution also offers TWIN high capacity technology in the portable range. For the price-conscious user there is the choice of a single stage execution.

Model	Cont. of air receiver l	Suction capacity l/min	Free air delivery* l/min	No. of cylinders	Motor power kW	Compr. speed U/min	Measurements			Sound level db(A)	Weight kg
							L mm	B mm	H mm		

Portable compressors on horizontal air receiver, Airmobil series

single stage, max. pressure 10 bar

Airmobil 240/50-10	50	240	170	2	1,5	1320	870	330	660	78	37
Airmobil 401/50-10	50	400	275	2	2,2	1300	1080	400	800	77	86
Airmobil 521/90-10	90	500	360	2	3,0	1250	1250	400	840	79	104
Airmobil 721/90-10**	90	700	565	2	4,0	990	1250	450	890	79	130

2-stage, max. pressure 15 bar

Airmobil 440/50-15	50	420	320	2	4,0	990	1080	400	850	77	92
Airmobil 601/50-15	50	560	480	3	7,0	910	1080	450	890	79	97

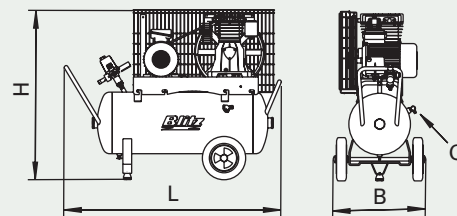
Portable compressors on horizontal air receiver, with petrol engine, Airmobil series

2-stage, max. pressure 15 bar

Airmobil 440/50-15	50	420	320	2	4,0	990	1080	400	850	77	92
Airmobil 601/50-15	50	560	480	2	7,0	910	1080	450	890	79	97
Airmobil 701/50-15	50	700	550	2	9,0	990	1080	450	890	81	146

* according to VDMA 4362

** single stage execution



Airmobil

Airmobil

Efficient and mobile with max. pressure 10 or 15 bar.



Airmobil with petrol motor

For more independence at the place of operation.



TWIN-Portable Piston Compressors for every Range of Appli- cation

TWIN-Hobby

The piston compressor with a low compressed air requirement. Fully equipped, with a large air receiver.



TWIN-Maximat/Pro

Ideal for the daily changing building site. The special frame and the low weight enable easy and stable transportation, for example, in the boot of the car.



TWIN-Kitty

A high pressure piston compressor, with max. pressure 18 bar, which finds its ideal range of application in putty spraying, checking air networks, filling fork-lift truck tyres etc.



Model	Cont. of air receiver l	Suction capacity l/min	Free air deliver* l/min	No. of cylinders	Motor power kW	Measurements			Sound level db(A)	Weight kg
						L mm	B mm	H mm		

Portable compressors on horizontal air receiver, Hobby series

Single stage, max. pressure 8 bar

Hobby 1,1-24-8**	24	200	138	1	1,1	600	360	600	78	24
-------------------------	----	-----	-----	---	-----	-----	-----	-----	----	----

Single stage, max. pressure 10 bar

Hobby 1,5-50-10**	50	250	170	1	1,5	1100	420	760	78	51
Hobby 2-50-10**	50	350	240	2	2,0	1100	420	800	79	62

Portable compressors on horizontal air receiver, Maximat series

Single stage, max. pressure 8 bar

Maximat 1,1-20-10	20	200	138	1	1,1	420	450	800	77	29
Maximat 1,5-20-10	20	250	170	1	1,5	420	450	810	77	34
Maximat 2-20-10	20	350	240	2	2,0	420	470	810	78	45

Portable compressors on horizontal double air receiver, Maximat Pro series

Single stage, max. pressure 8 bar

Maximat Pro 2-19-10**	2 x 9,5	350	240	2	2,0	770	610	540	78	50
------------------------------	---------	-----	-----	---	-----	-----	-----	-----	----	----

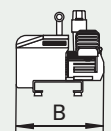
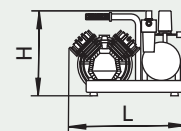
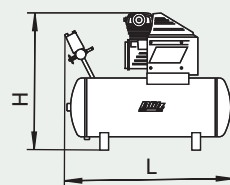
Portable high pressure compressor with horizontal air receiver, Kitty series

2-stage, max. pressure 15 bar

Kitty II**	6	160	95	2	1,8	550	470	420	76	21
-------------------	---	-----	----	---	-----	-----	-----	-----	----	----

* according to VDMA 4362

** Without after-cleaner



Hobby

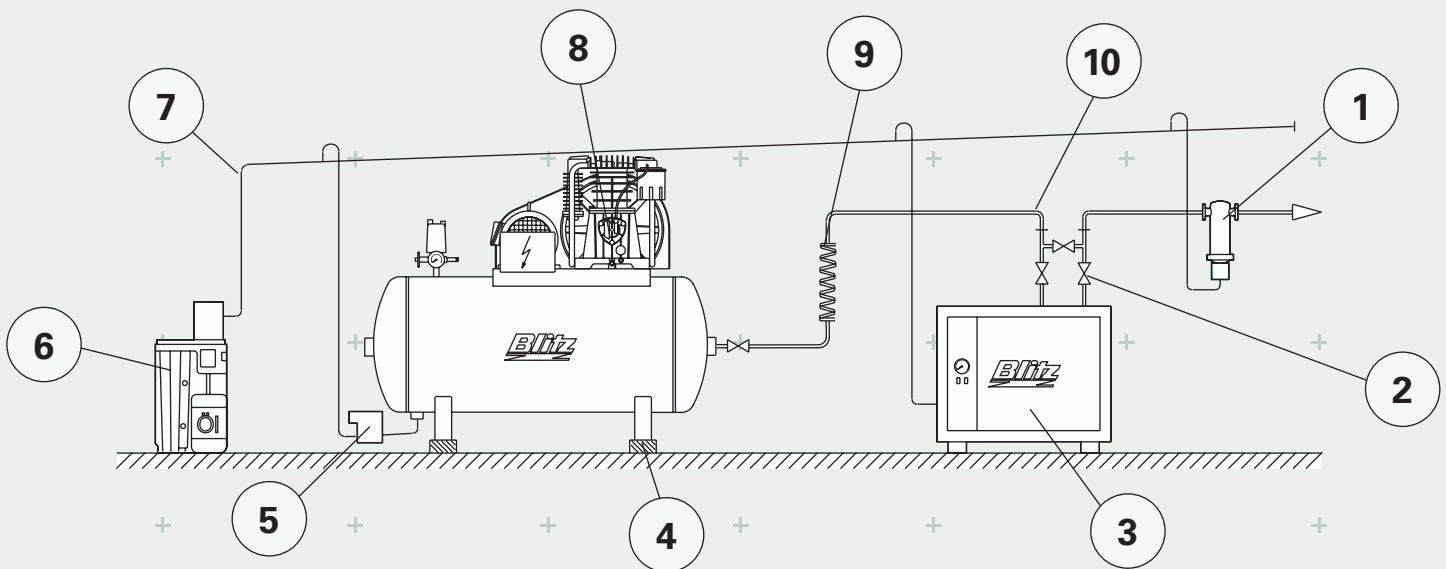
Kitty

TWIN Accessories

From a Compressor to a Compressed Air Station

Compressors and accessories are the deciding factors for a compressed air station which is economical and meets the customers' needs.

However, not every environment demands clean air with less than 0.01 ppm, as can be produced with our oil separator filters, for example. For this reason our extensive programme of BLITZ accessories can be combined with every TWIN piston compressor.



The complete compressed air station

● 1. Filter ● 2. Valves, Armatures ● 3. Refrigerated Air Dryer ● 4. Vibration Mounts ● 5. Automatic Condensate Drain ● 6. Oil-Water-Separator

● 7. Condensate Line ● 8. Compressor Oil ● 9. Flexible hose ● 10. Air Network

Refrigerated air dryer

For effective treatment of the compressed air. Dry compressed air without the corrosive water part is the basis for an economical compressed air station.



Filter

Releases compressed air effectively from solid particles. Different filter combinations permit the operation of the compressor in different application environments.



Oil-water-separator

The cost-effective treatment of condensate. Only the oil residue must be disposed of, the water can be let into the sewage system



Condensate drain

In electronic, level-controlled execution for fully automatic drainage from the air receiver.



Which Piston Compressor for which Application?



The efficient compressor for compressed air users with high demands and daily requirements. The wide application spectrum of the TWIN piston compressors justifies the large variety of products. TWIN piston compressors are available in oil lubricated and oil free execution.



The high-performance compressor – especially for highest industrial demands. VARIS-/VERSA piston compressors from BLITZ are available in oil lubricated and oil free execution as well as high pressure compressors and booster compressors. Detailed information about these can be found in our separate pamphlets.

